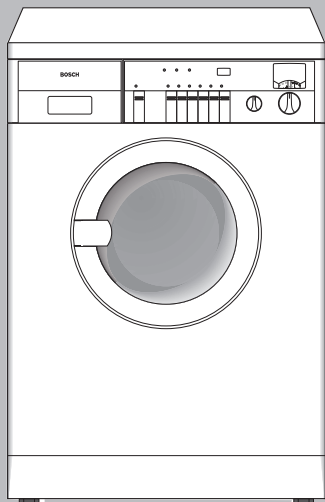


**WFK 2401**  
**Tumble Action**  
**Clothes Washer**



**en Use & Care Manual**

**Installation**  
**Instructions**

# **BOSCH**



**Internet:**  
**[http://www.](http://www.bosch-hausgeraete.de)**  
**[bosch-hausgeraete.de](http://www.bosch-hausgeraete.de)**

## Use & Care Manual

### Quick Reference Index

IMPORTANT SAFETY INSTRUCTIONS	3-4
GROUNDING INSTRUCTIONS	4
ABOUT YOUR WASHER	5
GETTING TO KNOW YOUR WASHER	5
BEFORE USING THE FIRST TIME	5
USING THE FIRST TIME	6
CONTROL PANEL	6
GETTING STARTED	6
CYCLE SELECTION CHART, TABLE 1	7
BEFORE WASHING	8
USING THE DISPENSER DRAWER	9
DETERGENT USE	9
DISPENSER DRAWER	9-10
OPERATION	
IMMEDIATE START	11-15
DELAYED START	15-16
TO INTERRUPT, END OR	
CHANGE CYCLE	16
CYCLE SELECTION	11-14
SPIN SPEED SELECTION	12-13
ADDITIONAL FUNCTIONS	13
SPECIAL CYCLES	16-17
CARE and CLEANING	18-20
SERVICE and REPAIR	21
SELF-HELP, TABLE 4	22-23
FACULT CODES, TABLE 5	24
WARRANTY	25

## Installation Instructions

### Quick Reference Index

INTRODUCTION	26
GROUNDING INSTRUCTIONS	26
TECHNICAL DATA	
DIMENSIONS	27
ELECTRICAL REQUIREMENTS	27
WATER REQUIREMENTS	27
CHOOSING THE LOCATION	28
INSTALLATION	
STEP 1, UNPACK THE WASHER	29
STEP 2, INSPECT THE WASHER	29
STEP 3, POSITION WASHER NEAR	
INSTALLATION AREA	29
STEP 4, REMOVE SHIPPING BOLTS	29
STEP 5, CONNECT WATER	
INLET HOSES	30
STEP 6, CONNECT DRAIN HOSE	
TO DRAIN RECEPTACLE	31
STEP 7, POSITION AND LEVEL	
THE WASHER	32
STEP 8, STORING THE WRENCH	33
STEP 9, BEFORE PLUGGING IN	
THE WASHER	33
STEP 10, FINAL CHECK LIST	33

**IMPORTANT:** Before you begin read these instructions completely and carefully.  
**INSTALLER:** Remove the door from all discarded appliances to avoid the danger of a child suffocating and remove the plug from the power cord.

**KEEP THESE INSTRUCTIONS FOR FUTURE REFERENCE.**

(In case of change of ownership, manual should be conveyed with the washer.)

# Use & Care Manual

## IMPORTANT SAFETY INSTRUCTIONS

**WARNING:** To reduce the risk of fire, electric shock, serious injury or death to persons when using your washer, follow basic precautions, including the following.

1. Bosch washers are provided with two manuals; one Installation Instruction manual and one Use and Care manual. Read all instructions before using the washer.
2. Do not wash articles that have been previously cleaned in, washed in, soaked in, or spotted with gasoline, dry cleaning solvents, other flammable, or explosive substances as they give off vapors that could ignite or explode.
3. Do not add gasoline, dry cleaning solvents, or other flammable, or explosive substances to the wash water. These substances give off vapors that could ignite or explode.
4. Under certain conditions, hydrogen gas may be produced in a hot water system that has not been used for 2 weeks or more. **HYDROGEN GAS IS EXPLOSIVE.** If the hot water system has not been used for such a period, before using a washing machine, turn on all hot water faucets and let the water flow from each for several minutes. This will release any accumulated hydrogen gas. As the gas is flammable, do not smoke or use an open flame during this time.
5. Do not allow children to play on or in the appliance. Close supervision of children is necessary when the appliance is used near children.
6. Before the appliance is removed from service or discarded, remove the door and the power cord/plug.
7. Do not reach into the appliance if the wash drum is moving.
8. Do not install or store this appliance where it will be exposed to the weather.
9. Do not tamper with the controls.
10. Do not repair or replace any part of the appliance or attempt any service unless specifically recommended in the user-maintenance instructions or in published user repair instructions that you understand and have the skills to carry out.
11. Always be sure to unplug the washer from the electrical supply before attempting any service. Disconnect the power cord by grasping the plug, not the cord.
12. To reduce the risk of fire, clothes, cleaning rags, mop heads and the like which have traces of any flammable substance, such as vegetable oil, cooking oil, petroleum based oils or distillates, waxes, fats, etc., must not be placed in the washer. These items may contain some flammable substance(s) after laundering, which may smoke or catch fire by itself.
13. Do not use chlorine bleach with ammonia or acidic solutions (such as vinegar or rust removers) in the same wash load. Hazardous fumes can form.
14. Do not machine wash fiberglass materials (many curtains and window covering use fiberglass materials). Small particles can remain in the washing machine and stick to fabrics in subsequent wash loads causing skin irritation.
15. Do not sit on top of the washer.
16. To reduce the risk of fire or electrical shock, **DO NOT** use an extension cord or an adapter to connect the washer to the electrical power supply.

## IMPORTANT SAFETY INSTRUCTIONS (continued)

17. The washer must only be used for its intended purpose.
18. Always follow the fabric care instructions recommended by the clothing manufacturer.
19. Replace worn power cords and/or loose plugs.
20. Make sure that all water connections to the washer have shut-off valve(s) and that they are readily accessible. Close the washer water shut-off valve(s) at the end of each wash day.
21. Check the fill hose connections on a regular basis to assure that they are tight and not leaking.
22. Always read and follow the instructions of the manufacturer of the detergent(s), cleaning aid(s), fabric softener(s) and static eliminator(s), which you are using. Heed all warnings and precautions.
23. Store all laundry chemicals and aids in a cool dry place according to the manufacturer's instructions.
24. To reduce the risk of poisoning or chemical burns, keep all cleaning products out of the reach of children.
25. Do not operate the washer with any guards and/or panels removed.
26. Do not operate the washer with missing or broken parts.
27. Do not bypass any safety devices.
28. Do not operate this washer until you are sure:
  - a. the washer has been installed according to the INSTALLATION INSTRUCTIONS.
  - b. all connections for water, drain, electrical power and grounding are in compliance with all local codes and/or other applicable codes and requirements.
29. Failure to install, maintain and/or operate the washer according to the manufacturer's instructions may result in conditions which can lead to bodily injury and/or property damage.

Notes: A. The IMPORTANT SAFEGUARDS and WARNINGS presented in this manual do not cover all possible conditions that may occur. Common sense, caution and care must be exercised when installing, maintaining or operating the washer.

B. Always contact your dealer, distributor, service agent or the manufacturer about any problems or conditions that you do not understand.

## GROUNDING INSTRUCTIONS

This appliance must be grounded. In the event of malfunction or breakdown, grounding will reduce the risk of electric shock by providing a path of least resistance for the electric current. This appliance is equipped with a cord having an equipment-grounding conductor and a grounding plug. The plug must be plugged into an appropriate outlet that is properly installed and grounded in accordance with all local codes and ordinances.

**WARNING** Improper connection of the equipment-grounding conductor can result in a risk of electric shock. Check with a qualified electrician or serviceman if you are in doubt as to whether the washer is properly grounded.

Do not modify the plug provided with the appliance - if it will not fit in the outlet, have a proper outlet installed by a qualified electrician.

## SAVE THESE INSTRUCTIONS

## ABOUT YOUR WASHER

Congratulations on having selected a Bosch high efficiency clothes washer, the choice of those that demand exceptional cleaning performance from their washer. The Bosch washer offers the following standard features:

- **Horizontal-Axis, Tumble Action Wash System**, without agitator
- **Stainless Steel Inner and Outer Wash Drums**
- **Exceptionally Low Energy and Water Consumption**
- **Sensotronic Plus** -monitors and optimizes the wash process at every stage.
- **Internal Heating Element**, for Temperature Boosting, up to 161°F (71°C)
- **High Spin Speeds**, up to 1,200 rpm, remove more water from fabrics to reduce drying time and energy.
- 4 Fabric and 5 Temperature Settings.

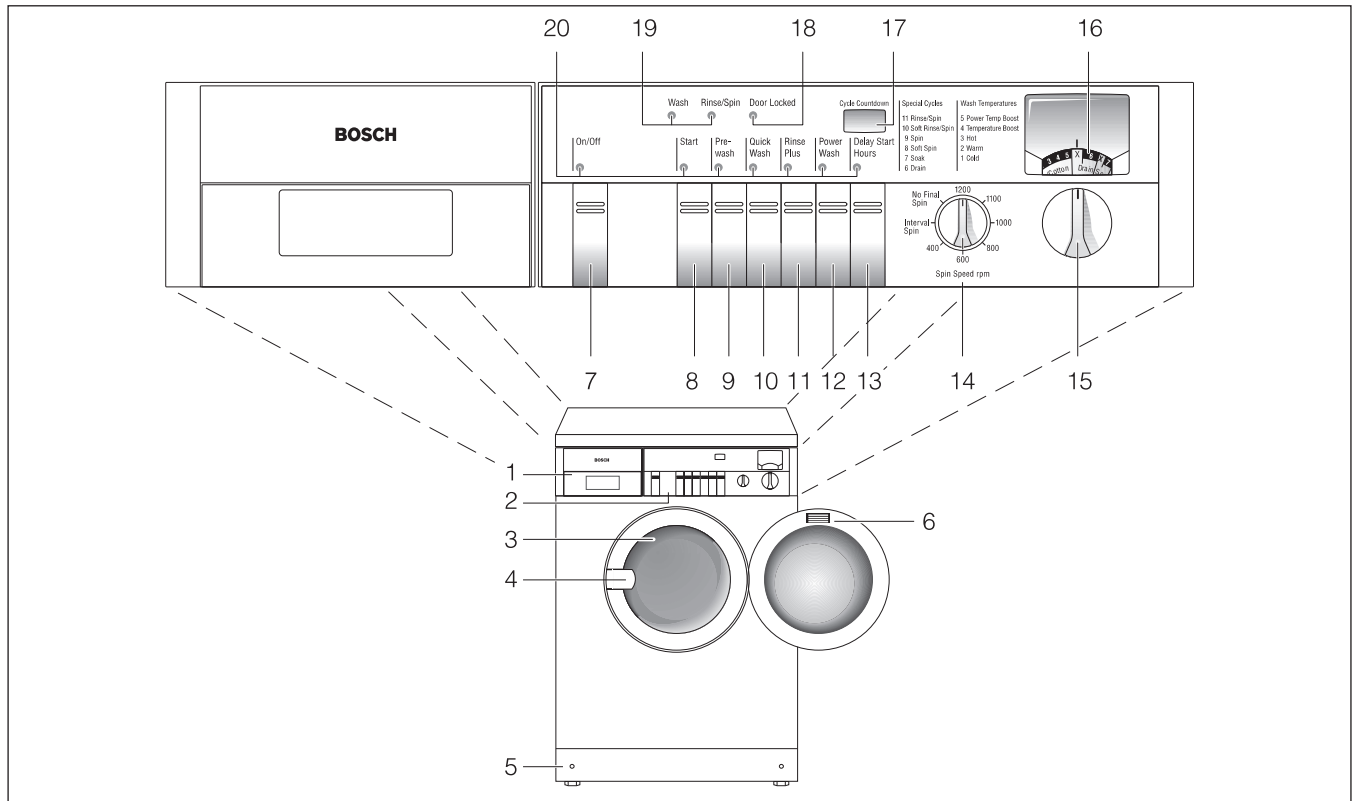


Figure 1.

## GETTING TO KNOW YOUR WASHER

Figure 1 is an illustration of a typical Bosch washing machine showing the location of the following:

- |  |  |
|--|--|
| 1. Dispenser drawer                    | 13. "Delay Start" time selector                          |
| 2. Control panel                       | 14. Spin speed selector                                  |
| 3. Door                                | 15. Cycle selector                                       |
| 4. Door handle                         | 16. Indicator for selected cycle                         |
| 5. Kick panel                          | 17. Display for "Delay Start" / remaining cycle duration |
| 6. Rating plate                        | 18. "Door Locked" indicator light                        |
| 7. "On/Off" Button                     | 19. Cycle progress indicator lights                      |
| 8. "Start" Button for starting a cycle | 20. Button indicator lights                              |
| 9-12. Additional functions             |  |

### BEFORE USING FOR THE FIRST TIME

Before beginning to use your washer for the first time:

1. Check to make sure that the voltage on which the washer is to operate is the same as shown on the rating plate.
2. Check to make sure that the water valve(s) to the washer are open.

## USING THE FIRST TIME

It is recommended that the first wash be run without laundry, to remove any water left from the factory tests. To perform this first wash the following steps should be followed:

1. Check that the shipping bolts have been removed. Check that water hoses are connected. Check that drain hose is connected to drain receptacle. Refer to installation instructions.
2. Open the water valve(s) to the washer.
3. Pull the dispenser drawer out.
4. Pour half a measuring cup of detergent into compartment II (on the left-hand side). Do not use a special detergent for delicates or woolens, as these will create too much foam.

### Note:

The "Door Locked" indicator light, see Figure 1, item 18, will become illuminated, whenever the door is locked. The door locks automatically when water enters the machine and remains securely locked during running of cycle. Locking of the door is a safety feature. Do not attempt to bypass this or any other safety feature.

5. Press the ON/OFF button. The indicator light will become illuminated and the indicator above the "Start" button will begin to flash.
6. Set cycle selector to **REGULAR/COTTON (5)** (Power Temp.Boost).
7. Press the "START" button.
8. The letters "CL" will be displayed in the alphanumeric display when cycle ends, press the "ON/OFF" button to turn machine off.

## GETTING STARTED

Below, in order to get started, you will find a summary of how to operate the washing machine. Also refer to the CYCLE SELECTION CHART, Table 1, for tabular summary, with some typical cycles and steps used in running the washer. For detailed instructions on sorting, pre-treating stains see the following section titled BEFORE WASHING. For detailed instructions on controls setting see the following section titled OPERATION.

- **Open Water valve(s)**  
Check water valve(s) and make sure they are open.
- **Load**  
Load the items into the washer.
- **Close Door**  
Check the door seating area to make sure there is nothing that will be caught between the door and the rubber seal when closing the door. Close the door by pushing it shut firmly until it snaps into place with an audible click.

- **Add Detergent/Softener**  
Pull the dispenser drawer, see Figure 1, out as far as it will go and add detergent and softener as required. See following section titled USING THE DISPENSER DRAWER.

**Note:** Do Not use liquid chlorine bleach in this washer.

- **Turn On the Washer**  
Press the "ON/OFF" button. The indicator light will become illuminated and the indicator above the "START" button will begin to flash.
- **Select Cycle**  
Set the cycle selector knob (item 15, figure 1) to the cycle desired.

Please refer to the CYCLE SELECTION CHART, Table 1, for description/explanation of the wash cycles (fabric type/wash temperature combinations) as well as an explanation of the special cycles. You will also find, directly to the left of the Cycle Selector window, see Figure 1, a table giving a short description of the wash temperatures and SPECIAL CYCLES available.

- **Select Spin Speed**  
The spin speed selector (item 14, figure 1) may be left in the "normal" position, which is straight up. The washer will then spin at the highest speed allowed for the cycle selected. See following section titled SPIN SPEED SELECTION for detailed explanation of selection possibilities.
- **Select Additional Functions (if desired)**  
See following section titled ADDITIONAL FUNCTIONS.
- **Press the "START" Button**  
The "START" indicator light will become illuminated and the washer will start. The alphanumeric display will show the minutes remaining in the cycle. When the cycle is complete the letters "CL" appear in the display and there will be an "END OF CYCLE" signal. See following section titled ADDITIONAL FUNCTIONS on information on how to set or turn off the "END OF CYCLE" signal.
- **Turn Off Washer**  
Depress the "ON/OFF" button.
- **Close the Water Valve(s)**  
It is recommended, after completing washing for the day, that the water valve(s) be closed.

# CYCLE SELECTION CHART

Fabric type	Recommended max. load	Care symbols	Wash Cycles (fabric type/wash temperature combinations)
-------------	-----------------------	--------------	--

Recommendation		Approx. cycle duration in minutes <sup>2</sup>
Degree of soiling/ options	Press button ('Add. Function')	

Colorfast and white cotton and linen (e.g. towels, sheets)	full load		Regular / Cotton	
			5	<b>Power Temp Boost</b> (161°F / 71°C)
Non-colorfast cotton and linen	full load		4	<b>Temperature Boost</b> (140°F / 60°C)
			3	<b>Hot</b> (122°F / 50°C)
			2	<b>Warm</b> (95°F / 35°C)
	full load		1	<b>Cold</b> (60°F / 15°C)

normally to lightly soiled		65
lightly soiled	<b>Quick Wash</b>	39 (50 <sup>3</sup> )
heavily soiled	<b>Prewash<sup>1</sup></b>	86
stained	<b>Power Wash</b>	95
additional rinse	<b>Rinse Plus</b>	75

Colorfast permanent press (e.g. dress shirts/pants, poly/cotton blend)	1/2 load		Permanent Press	
			3	<b>Hot</b> (122°F / 50°C)
Non-colorfast permanent press	1/2 load		2	<b>Warm</b> (95°F / 35°C)
			1	<b>Cold</b> (60°F / 15°C)

normally to lightly soiled		52
lightly soiled	<b>Quick Wash</b>	38
heavily soiled	<b>Prewash<sup>1</sup></b>	74
stained	<b>Power Wash</b>	82
additional rinse	<b>Rinse Plus</b>	60

Delicates and knitted fabrics (e.g. silk, curtains)	1/2 load		Delicates	
			2	<b>Warm</b> (95°F / 35°C)
	1/2 load		1	<b>Cold</b> (60°F / 15°C)

normally to lightly soiled		42
lightly soiled	<b>Quick Wash</b>	30
heavily soiled	<b>Prewash<sup>1</sup></b>	61
stained	<b>Power Wash</b>	74
additional rinse	<b>Rinse Plus</b>	48

Hand washables and woolens 	1/3 load		Hand Washables	
			2	<b>Warm</b> (95°F / 35°C)
	1/3 load		1	<b>Cold</b> (60°F / 15°C)

normally to lightly soiled		42
lightly soiled	<b>Quick Wash</b>	30
stained	<b>Power Wash</b>	52
additional rinse	<b>Rinse Plus</b>	49

			Special Cycles	without / with Interval Spin
Cotton/Linen	11	Rinse/Spin	<b>select spin speed or Interval Spin</b>	19 / 25
	9	Spin		13 / 19
Permanent Press/ Delicates/Woolens	10	Soft Rinse/Spin		16 / 23
	8	Soft Spin		6 / 6
	7	Soak		120
	6	Drain		2
<b>To interrupt, end, or change</b>			X	Reset

- 1)= Detergent dosing: 1 part for prewash, 3 parts for main wash
- 2)= The indicated times relate to average load and can be shorter or longer in certain cases (e.g. in combination with other 'Additional Functions' or if water inlet temperature is below normal). Cycles with Interval Spin take 5-8 minutes longer.
- 3)= With 'Power Temp Boost' temperature setting.

Table 1.

## Cycle Indicator Lights

The “Wash” and “Rinse/Spin” lights, referred to as the Cycle Indicator lights, serve to indicate the part of the cycle in which, the washer is operating. Refer to Figure 1 and Figure 2.

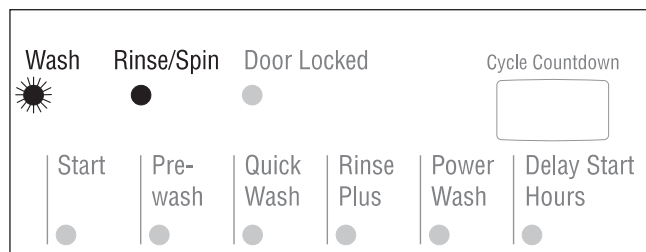



Figure 2.

# BEFORE WASHING





## PREPARE CLOTHES FOR WASHING

- **Check pockets and cuffs.** Make sure all pockets are empty. It is also recommend that all pockets be turned inside out. Also, make sure that nothing has been caught in the cuffs. A bobby pin, nail or sharp object in a wash load can cause tears. A crayon or tube of lipstick in a wash load can cause stains.
- **Mend holes and tears** Small holes and tears can become enlarged during a wash cycle. Mend holes and tears before washing.
- **Zip up zippers and secure all hooks** Zippers and hooks can catch on clothing in a wash load and tear them.
- **Check for color fastness** Check care label or immerse a section of the garment in warm or hot soapy water and then wring out the water. If the color bleeds (runs), wash the garment separately in cold water.

## SORT WASH LOAD

The laundry load should be sorted by color, fabric type, care label and amount of soil. Do not wash clothes in washing machine if the care label says “Do Not Wash” or the DO NOT WASH symbol, , on the care label. Always follow the care symbols. Some typical care symbols and their meanings are listed below:

## FABRIC TYPES

-  Machine Wash, Cottons
-  Machine Wash, Permanent Press
-  Machine Wash, Delicates
-  Hand Wash

## TEMPERATURES

-  Cold
-  Warm
-  Hot

Refer to the CYCLE SELECTION CHART, Table 1, for more information.

Wash new colored items separately or with similarly colored items. Always wash flourescent, or bright colors serarately

## LOAD THE WASHER

Mix large and small items in a load to get the best results. Load the items loosely into the wash drum. The bulk of the clothes, rather than the weight of the load will determine the load size. Load sizes will vary. Small and large items should be washed together to create a balanced load. Do not hesitate to fill the entire wash drum of the washer. It is recommended, for best results, that the drum be loaded, by fabric type, as follows:

Full Load – Cotton and Linens

½ Load – Permanent Press, Synthetic Blends and Poly Knits.

⅓ Load – Woolens, Delicates, Silk

The term full load, above, means packing the drum until it is filled with dry, unfolded clothes, without packing it tightly. If necessary, use the **SOAK** cycle, (7), for heavily soiled items.



## USING THE DISPENSER DRAWER

For the best washing result it is important to use the correct amount of detergent and additives as called for by the clothing manufacturer.

## DETERGENT USE

It is recommended that low sudsing powdered or liquid detergents be used that have been developed for use with high efficiency, front-loading washers. Powdered bleach can also be used in the dispenser.

- Notes:**
1. DO NOT use chlorine bleach in this washer.
  2. If it is necessary to use a detergent made for top loading washers, to avoid oversudsing, it is recommended that only 1/4 to 1/2 of the amount recommended by the detergent manufacturer for top loading washers be used. Using this lesser amount may effect the cleaning performance. The first time, start with 1/4 of the recommended amount. Then, only if there is a low level of sudsing and your clothes are not getting clean, try a little more.
  3. One of the features of **Sensotronic Plus** is suds sensing. If excessive suds develop during the wash cycle, this will be sensed and an additional rinse cycle will automatically be added. This added rinse cycle will extend the total cycle time and will be reflected in the Cycle Countdown display.

When using detergent recommended for high efficiency, front-loading washers, use only the amount recommended by the detergent manufacturer:

- Use of too much detergent, as with use of detergent developed for top loading washers, could result in an oversudsing condition. Oversudsing will result in a poor-washing result.
- Use of too little detergent will become noticeable by a graying of the wash or a not properly cleaned appearance; grey/brown stains form on the wash; scale builds up on the heating elements.

For smaller loads or less than normal soiling or soft water reduce the amount of detergent used.

## WATER HARDNESS

Water hardness information will normally be provided in grains (grains/U.S. gallon) or in PPM (parts per million). Your local water department or utility or State Extension Service should be able to advise you of the hardness of your water.

It is recommended, for reference, that the indicator arrow in the dispenser be set to show the water hardness in your area. See Table 2.

Water Hardness	Soft	Medium	Hard	Very Hard
Dispenser Setting	1	2	3	4
Grains per US Gallon	0-3.5	3.6-7.0	7.1-10.5	10.6+
Parts Per Million (PPM)	0-60	61-120	121-180	180+

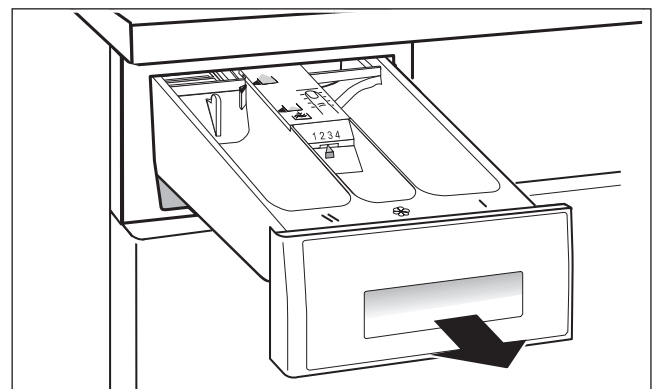
**Table 2.**

Water should be soft enough to allow detergent to remove soil effectively. You will find that the clothes will be whiter and brighter when washed in soft water.

Hard water will not remove soil as well as soft water. To get clothes clean in hard water use slightly more detergent. If you have hard water it can also be softened by installing a mechanical water softener in your home.

## DISPENSER DRAWER

The dispenser drawer is located at the top left front of the washer, see Figure 1 and Figure 3. Pull out the dispenser as far as it will go. Also, upon loading the dispenser it should be closed carefully (slowly) to avoid mixing together of the detergent, softener or other additives.



**Figure 3.**

To clean the dispenser drawer see CARE & CLEANING section in this manual.

There are three separate compartments within the drawer:

### Main Wash Detergent Compartment (marked "II" on the left)

The compartment marked "II" holds the detergent that is to be dispensed during the main wash. This compartment may also be used to dispense powdered bleach.

There is an adjustable insert in the "II" compartment that may be set for the type and amount of detergent to be used.

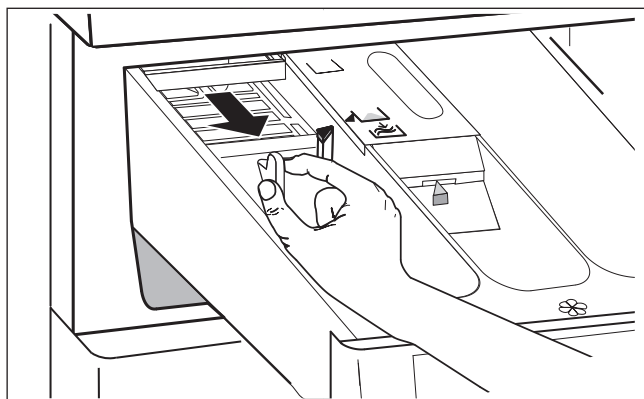



Figure 4.

- **For powder detergents**

For small amounts of powdered and concentrated ("ultra") detergents, position the insert towards the front of the compartment, see Figure 4; for large amounts of detergent, push the insert to the back of the compartment, see Figure 5 (the factory setting). Then position the insert so that the arrow on the insert points towards the  symbol.

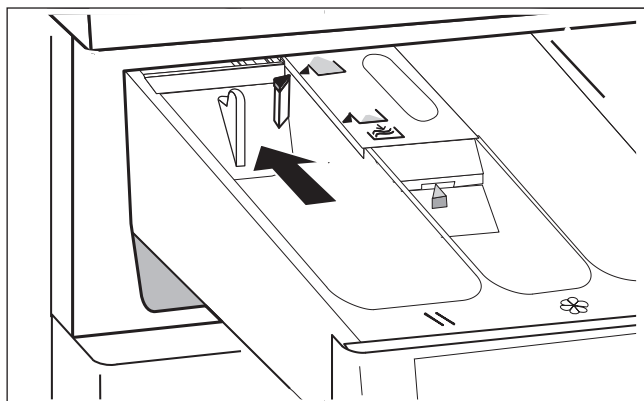


Figure 5.

Use care when adding detergent to the compartment to avoid spilling detergent into the fabric softener compartment. Detergent will thicken fabric softener, making it gummy, which could clog the tubing within the washer.

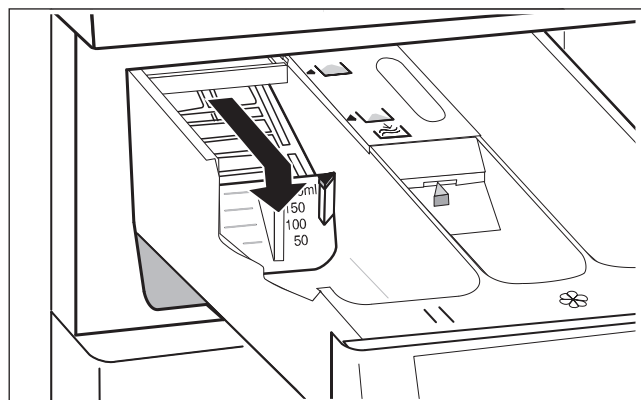



Figure 6.

- **For liquid detergents**

Pull the insert as far to the front as it will go and press downwards, See Figure 6. When pressed downwards the arrow on the insert will angle forward so that it is positioned to point towards the liquid detergent symbol .

**Note:** If the delayed start feature is going to be used it is not recommended that liquid detergents be used in the dispenser. Liquid detergents can thicken overtime and eventually clog tubing if left standing for extended periods. If liquid detergent is desired when using the time delay feature, use a special dispenser, for liquid detergents, such as a plastic ball.

### Prewash/Soak Detergent Compartment (marked "I" on the right)

The compartment marked "I" holds the detergent that is to be dispensed during prewash or soaking. Pour the detergent or soaking agent into the "I" compartment of the dispenser drawer. If soaking please refer to the following section titled OPERATION.

This compartment may also be used to dispense starch to the washing, see section Extra Rinse/Extra Soft Rinsing (and **Starching**), under the **OPERATION** section of this manual.

### Fabric Softener Compartment (marked , in the middle)

The middle compartment is where fabric softener to be added in the final rinse should be placed. Place fabric softener in the center compartment, before starting the washer. Do not fill beyond the MAX mark. Adding more than the MAX level indicated could result in premature dispensing of the softener or additive and possible staining of the fabrics in the washer. DO NOT pour fabric softener directly on the wash load.

# OPERATION

## TIPS ON SAVING ENERGY and WATER

To save energy and water:

- Do not use PREWASH for lightly to normally soiled items.
- For lightly soiled items use “QUICK WASH”.
- Soak heavily soiled items.
- Wash using maximum recommended loads.

Once the water valve(s) have been opened, washer has been loaded and dispenser drawer filled the washer is ready to be started.

## IMMEDIATE START:

- I. Close the door of the washer making sure that the door latches closed.
- II. Press the “ON/OFF” button (Figure 7, below). The “ON/OFF” indicator light will become illuminated and the “START” indicator light will begin to flash.

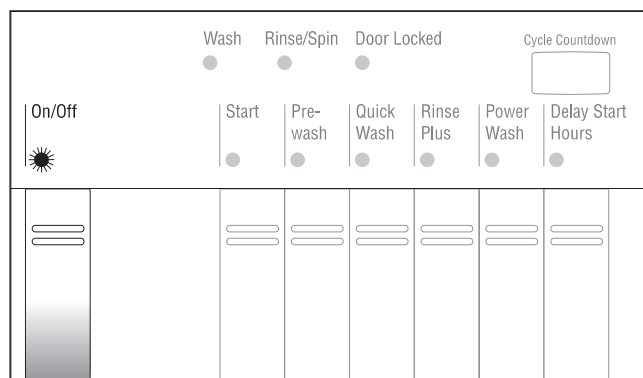


Figure 7.

- III. Use the Cycle Selector, see Figure 8, to select the cycle desired. The cycle length, in minutes, will be displayed in the “Cycle Countdown” alphanumeric display.

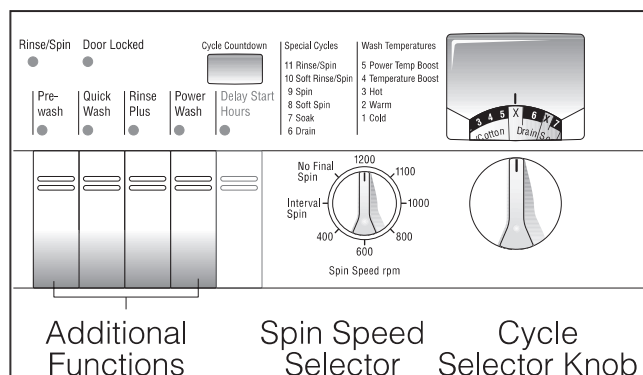


Figure 8.

## CYCLE SELECTION

It is easy to make cycle selections with the Bosch washer. Simply turn the cycle selector knob to one of the selections listed on the dial. The washer offers 12 standard wash cycles, combinations of 4 fabric types and 5 wash temperature settings as well as 6 Special Cycles. The selections are descriptive of the type of wash that is to be cleaned or provide special control features to allow manual operation of the washer in the modes desired; such as, spinning, soaking or draining.

Directly to the left of the Cycle Selector window you will find a table, see Figure 9, that as a reminder, provides a brief description of the meaning of the numbers listed on the cycle selector knob:

Special Cycles		Wash Temperatures	
11	Rinse/Spin	5	Power Temp Boost
10	Soft Rinse/Spin	4	Temperature Boost
9	Spin	3	Hot
8	Soft Spin	2	Warm
7	Soak	1	Cold
6	Drain		

Figure 9.

## STANDARD WASH CYCLES

### 4 Fabric Types:

#### 1. Regular/Cotton

The cotton settings are intended to be used for sturdy, hard wearing items made from cotton or linen, such as:

- ◆ Play clothes
- ◆ Work clothes
- ◆ Sheets
- ◆ Towels
- ◆ Jeans
- ◆ T-shirts, etc.

For best results when cleaning heavily soiled items use the PREWASH additional function. Refer to the care label on the clothing for settings to use. In general, the POWER TEMP BOOST (5) setting is recommended for sturdy whites and diapers. While TEMPERATURE BOOST (4) would normally be used for colorfast cotton and linens. The (3), (2) and (1) settings save energy when cleaning lightly soiled cotton. The cold (1) setting is recommended for very bright coloreds that are lightly soiled. Using the hottest temperature safe for the fabric will usually provide best cleaning results.

## 2. Permanent Press


The Permanent Press settings are intended to be used with permanent press items and items made from cotton, synthetic or blended fabrics and outer garments, such as:

- ◆ Dress shirts
- ◆ Dress pants
- ◆ Poly/cotton blend clothing
- ◆ Clothes requiring a special tumble sequence and spin speed to minimize wrinkling.

## 3. Delicates

The Delicates settings are intended for use with delicate easy care items made from cotton, synthetic or blended fabrics and curtains. During these cycles, no spinning takes place between the rinsing cycles.

## 4. Hand Washables

The Hand Washables settings are intended for very delicate easy care items that usually require hand washing. These cycles have been specifically designed to provide extremely gentle treatment of fabrics. All woolens or other items marked with the “Hand Wash” symbol, , on the care label can be safely washed in this cycle.

## 5 Wash Temperature Settings

The numbers 5-thru-1 associated with the STANDARD WASH CYCLES provide a reference to the wash temperatures available:

### Power Temp Boost (5) - 161°F (71°C)

This is the highest temperature setting. The water temperature is raised to approximately 161°F (71°C).

### Temperature Boost (4) - 140°F (60°C)

### Hot (3) - 122°F (50°C)

### Warm (2) - 95°F (35°C).

### Cold (1) - 60°F (15°C).

### Numbers 6-thru-11

The numbers 6-thru-11 are explained below in the section titled SPECIAL CYCLES.

## IV. Use the Spin Speed Selector , see Figure 10, to set the speed desired.

### SPIN SPEED SELECTION

The spin speed selector knob provides an easy method of selecting the drum spin speeds, Interval Spin or No Final Spin.

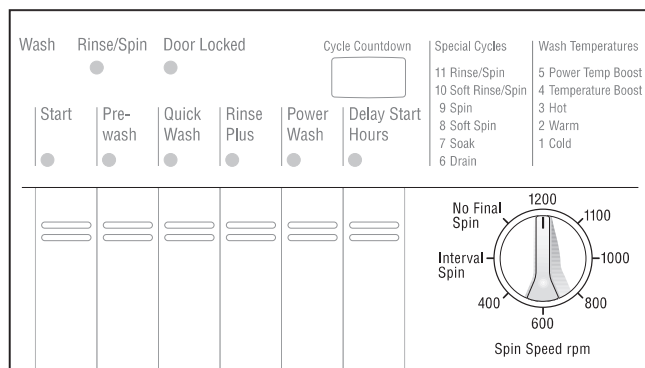


Figure 10.

### NORMAL (straight up) Position

The NORMAL position is the straight up position.

When set at the NORMAL position the maximum spin speed will not exceed the values shown in table 3. It is possible to set the spin speed to a lower level than shown in table 3 to limit the speed; for example, in cases where very delicate items are being washed.

Maximum Spin Speed		
Cycle	Normal	INTERVAL SPIN
Regular/Cottons	1200	800
Permanent Press & Hand Washables	800	800
Delicates	600	600
Spin & Rinse/Spin	1200	800
Soft Rinse & Soft Rinse/Spin	800	800

Table 3.

Note: One of the features of **Sensotronic Plus** is the sensing of unbalanced loads. If Sensotronic Plus detects an unbalanced load it will automatically interrupt the spin cycle to redistribute the clothes. If the load cannot be distributed evenly, the maximum spin speed will automatically be reduced.

### Interval Spin

When set for INTERVAL SPIN the wash is spun more gently and loosened in several stages. In INTERVAL SPIN cycle, time will be extended for up to 10 minutes. Maximum spin speeds of cycles when spin is set for INTERVAL SPIN are also shown in Table 3, above.

## No Final Spin

When in NO FINAL SPIN the water will not be spun out at the end of the cycle. The wash is left with the water from the final rinse. The drum will spin the wash between rinses. Use this setting to avoid setting wrinkles, when the clothing cannot be taken out of the washer immediately upon completion of the cycle.

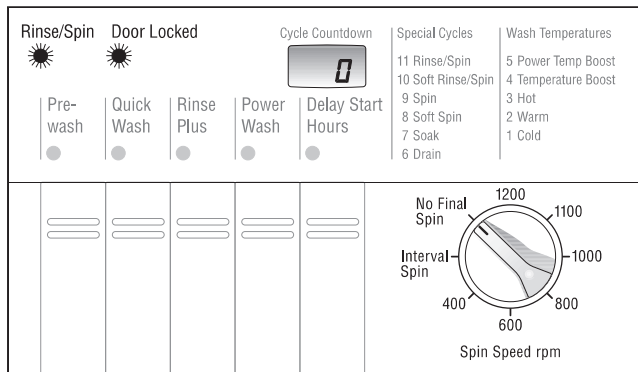


Figure 11.

Note: When in NO FINAL SPIN, the washer stops and displays “CL” in the display, but the door cannot be opened. To finish the wash load and enable opening of the door there are two choices:

1. If you desire the wash to be spun dry: set the spin speed indicator to speed desired or INTERVAL SPIN and depress the “START” button. The wash will then be spun dry and upon completion the door will be able to be opened.

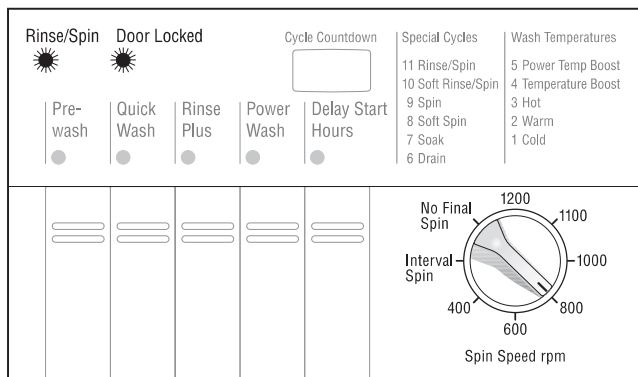


Figure 12.

2. If you desire to have the wash remain wet: set the cycle selector to DRAIN (6) and depress the “START” button. The water will then be pumped from the washer and the door will be able to be opened.

## V. Set Additional Functions, see Figure 13, if desired.

### ADDITIONAL FUNCTIONS

The STANDARD WASH CYCLES are suitable for most wash conditions that one may encounter, however, for those special situations there are four “ADDITIONAL FUNCTION” keys located between the “START” and “DELAY START HOURS” buttons on the control panel of the washer, see Figure 13 below.

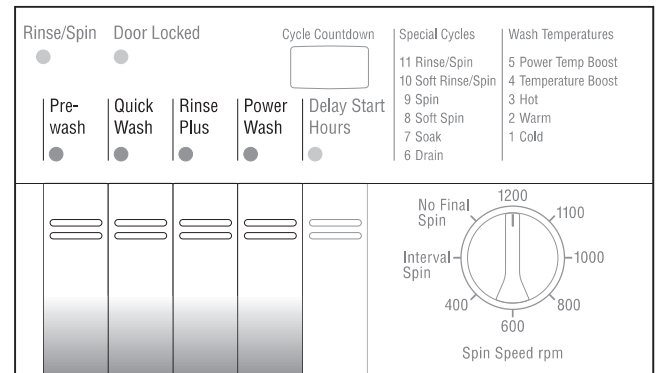


Figure 13.

The ADDITIONAL FUNCTION keys can be chosen to be used with the cycle selected with the cycle selector knob and also can be combined with one another for use with the selected cycle. The indicator light above the additional function key will become illuminated to show that it has been selected. These ADDITIONAL FUNCTIONS are as follows:

#### Prewash

Recommended for garments that are heavily soiled or stained, work clothes, overalls, etc. The Prewash temperature is 30°C. When using Prewash, place ¼ of the detergent in the Prewash compartment of the dispenser drawer (compartment marked “1”, on the right).

Note: In order to protect the very delicate and woolen fibers, Prewash will not function if a Hand Washable cycle is selected.

#### Quick Wash

If the degree of soiling is light, this function may be selected to save time and energy. With this function selected the cycle time for DELICATES and HAND WASHABLES will only be 30 minutes.

#### Rinse Plus

When this button is depressed, an additional rinsing cycle will be added to the selected cycle.

#### Power Wash

Recommended for heavily soiled and or stained items. Particularly recommended when trying to remove protein stains. Wash time is extended by

30 minutes. Only cold water is introduced to the wash drum with POWER WASH selected. The washer then heats the water to the selected wash temperature. By raising the temperature from cold through to the set temperature all components of the detergent are activated in stages for best stain removal and cleaning results.

### TYPICAL CYCLES

If there is still some question as to how the Bosch washer is set for various washing duties refer to Table 1, CYCLE SELECTION CHART and go through the step by step suggestions and re-read the OPERATION section. This will usually clear-up any remaining questions.

**Note:** Water Level: Another aspect of the Sensotronic Plus system is the load sensor that will automatically adjust the water level in the Bosch washer to accommodate the type and size of load.

**VI. Press the “START” button. The “START” indicator light will stop flashing and become illuminated, the washer will start, the “Door Locked” light will become illuminated and the washer will continue to the end of the selected cycle. The cycle indicator lights will display the cycle that is running and the “Cycle Countdown” alphanumeric display will indicate the estimated time remaining until the cycle ends. See Figure 14.**

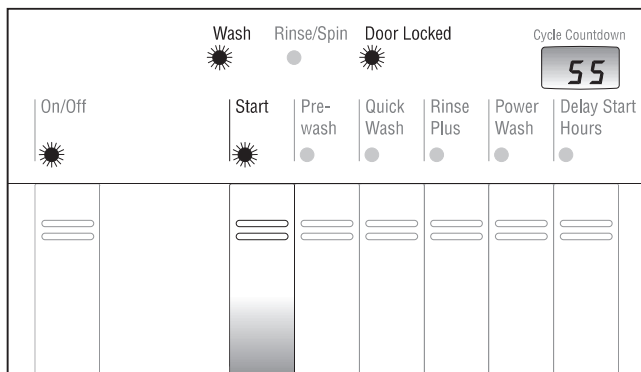


Figure 14.

**Notes:** 1. The Bosch washer's Sensotronic Plus, a sophisticated sensor technology package, will constantly monitor, control and optimize

the wash cycle. The time remaining displayed in the alphanumeric display may therefore change to accommodate the change in a sensed condition; such as unbalanced load, excessive suds, extremely large or small loads, etc.

2. The Bosch washer will often start and stop while operating as it changes drum rotation direction and makes various checks and adjustments to accommodate the load. This stopping and starting is normal.

**VII. At the end of the cycle the washer will stop, the letters “CL” will be displayed in the alphanumeric display and there will be an “End of Cycle” signal.**

### “End of Cycle” Signal

The washer leaves the factory with the “End Of Cycle” signal turned on and set to the loudest position. To reset the “End of Cycle” signal to a lower level, or turn it off completely:

Before the beginning or after the end of a cycle depress and hold in the “PREWASH” button. After approximately 3 seconds the signal will begin to sound. The volume level of the sound may be changed by holding the button in until desired volume level or “OFF” setting is reached. The setting will be stored for future use until altered.

**VIII. If you have the speed selector set to “NO FINAL SPIN” the letters “CL” will be displayed, but the “Door Locked” light will be on and the door will be locked. To bring the cycle to the point where the door can be opened you must perform one of the following steps:**

1. The wash must first be spun out, by setting the speed selector to the desired spin speed or “INTERVAL SPIN”,
- or ,
2. The water in the wash must be drained by setting the cycle selector to DRAIN (6).

- IX. Turn off washer by depressing the “ON/OFF” button.
- X. Open the door, remove the wash load and leave the door slightly open to allow the inside of the washer to dry after each use.
- XI. Remove any foreign objects from the drum seal that may have come to rest there during running of the washer. Otherwise there is risk of sharp object or other item that may rust being left on the seal and damaging it.
- XII. Close the water valve(s). If you have completed washing for the day close the water valve(s)

**DELAYED START:**

The start of the washing cycle can be delayed up to 19 hours, in 1-hour increments. Perform the same steps I through V as described above under the heading “IMMEDIATE START”, but instead of depressing the “START” button proceed as follows:

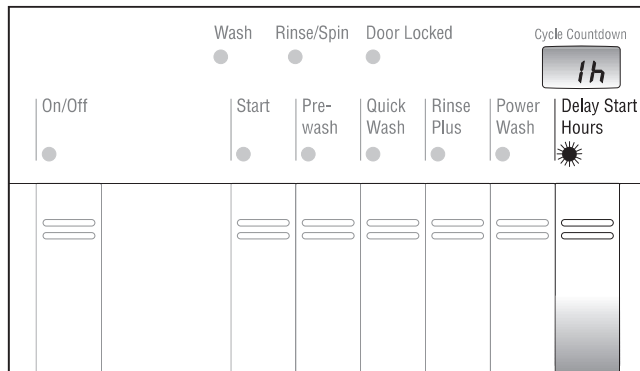


Figure 15.

- XIII. Press “DELAY START HOURS” button, see figure 15. The alphanumeric display above the button will display “1h” indicating that a one hour delay has been selected. Press the “DELAY START HOURS” button as many times as necessary, or hold it in, to display the number of hours delay desired.

A small dot will flash on and off, in lower right hand corner of display, to indicate the washer is counting down from the set time. The washer will count down in one-hour increments and will start once the indicated delay has past.

- Notes:
1. The delay time may be altered or cancelled at anytime, before the washer starts, by depressing the “DELAY START HOURS” button and holding it in. Then either hold it in until the new desired delay time appears or, until the display passes “19”. If held in past the “19” being displayed the start time is cancelled and will display the cycle duration time as soon as the button is released. Press the “DELAY START HOURS” button again to begin the delay setting again in one hour increments.
  2. The door may be opened after the delayed start time has been set to add more wash until the washer starts.
  3. To start the washer immediately even though the delay start has been set simply press the “Start” button.

**When the cycle ends the steps for DELAYED START are again the same as for IMMEDIATE START. See steps VII through XII, above.**

## TO INTERRUPT, END OR CHANGE CYCLE

To **interrupt** the cycle after the washer has begun, simply depress the “ON/OFF” button. The machine will stop. The machine will restart approximately from the point where it was turned off when the “ON/OFF” button is again depressed.

To **end** a cycle that has begun:

- Set the cycle selector to any of the “X” settings, see Figure 16. The indicator light above the “START” button will begin to flash.

**Note:** The “X” setting that appears a number of times on the cycle selector knob is the reset position. This setting is used to reset the programming.

- Depress the “START” button.
- Set the cycle selector to a SPIN (8) or SOFT SPIN (9) or DRAIN (6) cycle.
- Depress the “Start” button. The washer will spin dry and drain or just drain and “CL” will appear in the alphanumeric display when done. The washer door can then be opened and the wash removed.

If you wish to **change** the cycle after it has begun:

- Turn the cycle selector to “X” The indicator light above the “START” button will begin to flash.
- Depress the “START” button.
- Turn the Cycle selector to the cycle desired.
- Depress the “START” button.
- The new cycle will begin.

**Notes:** 1. Do not add more detergent as the water in the machine has not been pumped out.  
2. If the washer is interrupted during “Wash”, “Spin”, or Drain” selection the clothes will not be rinsed and there may be soap residue.

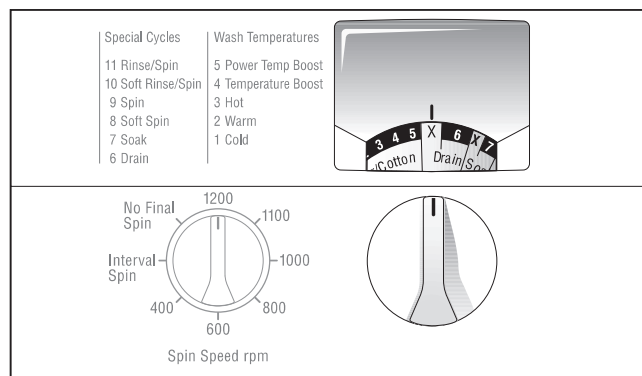


Figure 16.

## TO ADD CLOTHES DURING CYCLE

You can add clothes to the wash load as long as the “Wash” indicator light is illuminated.


- Depress the “On/Off” button.
- Wait until the “Door Locked” indicator light goes off.
- Open the door and add clothes.
- Close the door by pushing it shut firmly until it snaps into place with an audible click.
- Depress the “On/Off” button. The machine will restart approximately at the point where it was turned off.

## SPECIAL CYCLES

### Rinse/Spin (11) & Soft Rinse/Spin (10) (and Starching)

A separate rinsing cycle followed by spinning. Used for rinsing individual items that have been washed by hand, for starching, or for flushing detergent residue from the washer after too much detergent has been used. The Soft Rinse/Spin (10) is specially designed for permanent press and delicate items.

To use these settings for **rinsing (includes spinning)**:

1. Place the wash to be rinsed in the washer.
2. Pour fabric softener into the fabric softener compartment (the middle compartment in the dispenser drawer, marked ) , if desired.
3. Depress the “On/Off” button.
4. Set the cycle selector to RINSE/SPIN (11) or SOFT RINSE/SPIN (10).
5. Set the spin speed selector to a specific speed, or INTERVAL SPIN, or NO FINAL SPIN, if desired.
6. Depress the “START” button. The indicator light for “Rinse/Spin”, in the cycle progress indicator will become illuminated.



The cycle will end automatically after the spin cycle, unless NO FINAL SPIN has been selected. If NO FINAL SPIN was selected, refer to page 12 for information on how to end the cycle and enable opening of the door.

To use these settings for **starching**:

1. Place the washing to be starched into the washer. The washing should not have been treated with fabric softener.
2. Dissolve sufficient starch for 4 gallons (15 litres) of water (being sure to observe the starch manufacturer's instructions) in a quart (1 litre) of water.
3. Depress the "ON/OFF" button.
4. Set the cycle selector to RINSE/SPIN (11) or SOFT RINSE/SPIN (10).
5. Set the spin speed selector to a specific speed, or INTERVAL SPIN, or NO FINAL SPIN.
6. Depress the "START" button. The indicator light for "Rinse/Spin", in the cycle progress indicator will become illuminated and the time of the cycle will appear in the "Cycle Countdown" alphanumeric display.
7. When the water begins to flow into the washer, pull out the dispenser drawer slightly and pour the starch solution into the prewash compartment (compartment marked "I", on the right).
8. Close the dispenser drawer. The cycle will end automatically after the spin cycle, unless NO FINAL SPIN has been selected. If NO FINAL SPIN was selected, refer to page 12 for information on how to end the cycle and enable opening of the door.

### Soft Spin (8) & Spin (9)

These setting selections are used to spin individual items of laundry. The SOFT SPIN (8) is performed at a lower speed for permanent press and delicate items. Maximum spin speeds of different cycles and for INTERVAL SPIN setting are shown in Table 3, page 11.

### 7 Soak

The Soak setting is used to pre-treat heavily stained items:

1. Only items of the same color should be soaked in a single load.
2. Pour the soaking agent into Prewash compartment (compartment "I", on the right).
3. Depress the "ON/OFF" button.
4. Set the cycle selector to 7 SOAK.
5. Depress the "START" button. The indicator light for Washing in the cycle progress indicator will become illuminated.

The Soak cycle lasts 2 hours. All the water is pumped out, without a spin. The clothes remain wet. A rinse cycle can be selected to remove the soak water from the wash. You may, as well, without soaked clothes being rinsed first, select desired wash cycle.

### 6 Drain

The DRAIN setting is used to pump water out of the washer, without spinning, for example after the NO FINAL SPIN selection has ended the cycle.

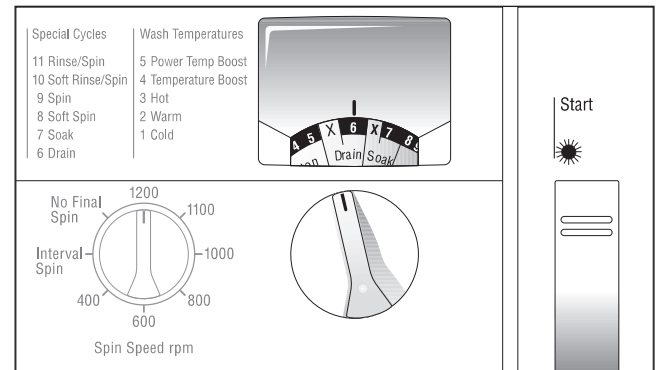


Figure 17.

## CARE and CLEANING

The housing and control panel should only be cleaned with a detergent solution, or with a solvent free, non-scouring cleaning agent.

Other areas requiring periodic leaning or maintenance are listed below:

### Drum and Drum Seal

Check the drum and drum seal after removing wash load to assure that there are no foreign objects in the drum or on the seal, to avoid the risk of rust or puncturing or tearing the seal.

Clean the drum and drum seal using a chlorine-free cleaning agent (check the contents list on the packaging) to remove rust stains caused by metal objects left behind, inside the drum or on the seal. Do not use steel wool scouring pads.

### Water Inlet Hoses

To avoid water damage, the water inlet hoses should be checked, by an experienced serviceman every 5 years.

### Filters, Water Inlet Hoses

If the water valves are opened and there is insufficient water flow or no water flow to the washer, the water filters may need to be cleaned.

The filters are located at both ends of the inlet hoses. To clean the filters:

1. Close the water valve(s).
2. Switch the washer to "ON", set the Cycle Selector to any wash cycle (for example the Permanent Press, 2) and press the "START" button. This will remove the pressure from inside the water hose(s). After approximately 40 seconds, set the Cycle Selector to new selection, press the "START" button and then switch the washer to "OFF".

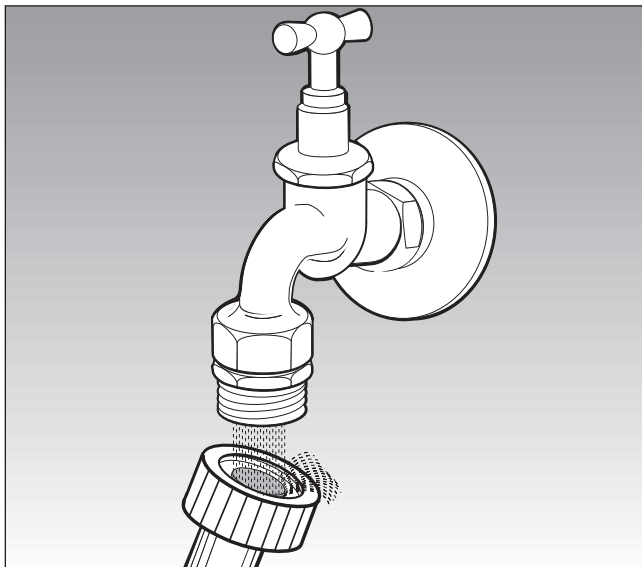


Figure 18.

3. Unscrew the hose from the tap and rinse the filter under running water. See Figure 18.
4. Screw the hose(s) back onto the tap.
5. Unscrew the hose(s) at the rear of the washer.
6. Use a pair of pliers to remove the filter. Clean the filter and replace it inside the hose connection. See Figure 19.
7. Reconnect the hose(s).
8. Open the water valve(s), make sure there are no water leaks at either end of the hose(s).
9. Close the water valves.

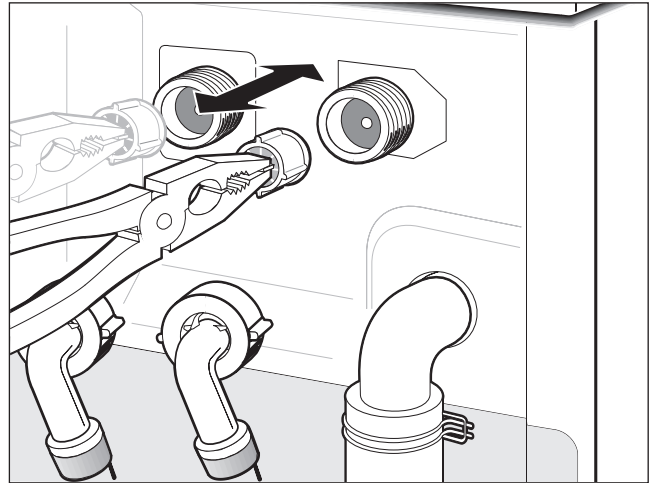


Figure 19.

### Dispenser Drawer

The dispenser drawer should be cleaned on a regular basis. To clean the dispenser drawer:

1. Pull out the dispenser drawer as far as it will go.
2. Press down on the back of the insert in the fabric softener compartment, see Figure 20.

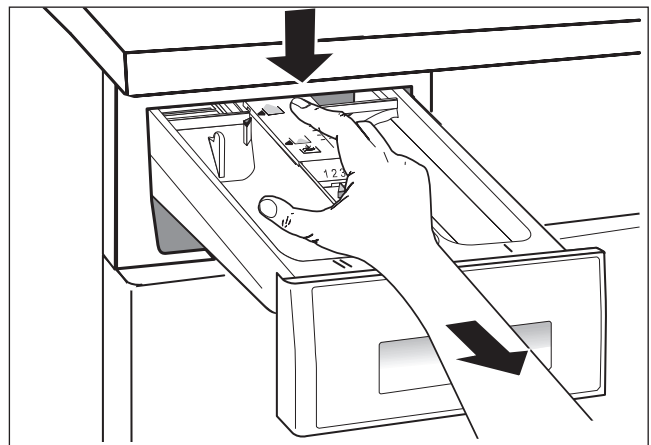
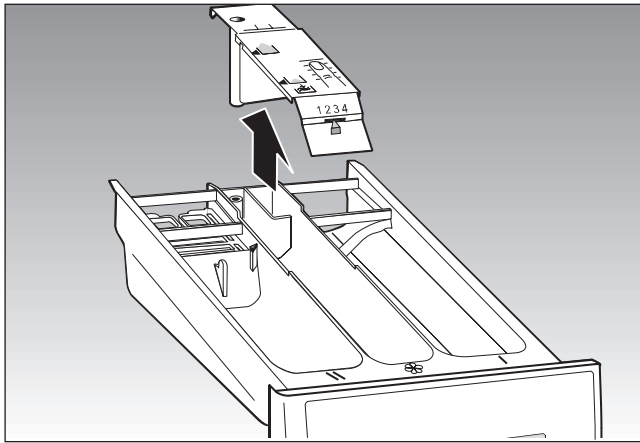


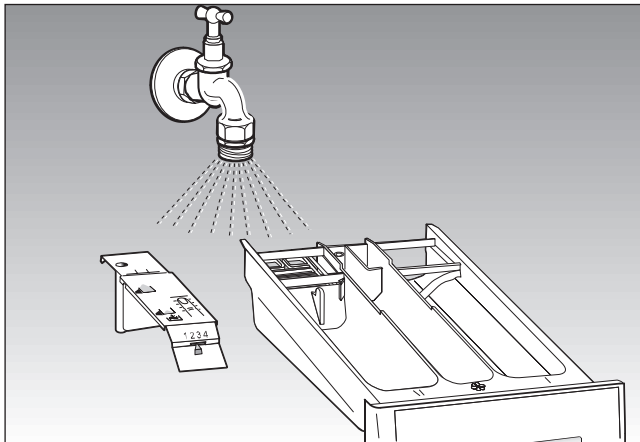
Figure 20.

3. Remove the insert. See Figure 21.



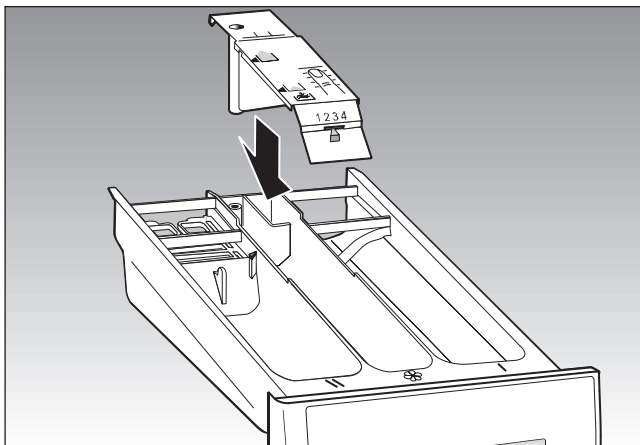
**Figure 21.**

4. Clean all compartments and the insert under warm running water. See Figure 22.



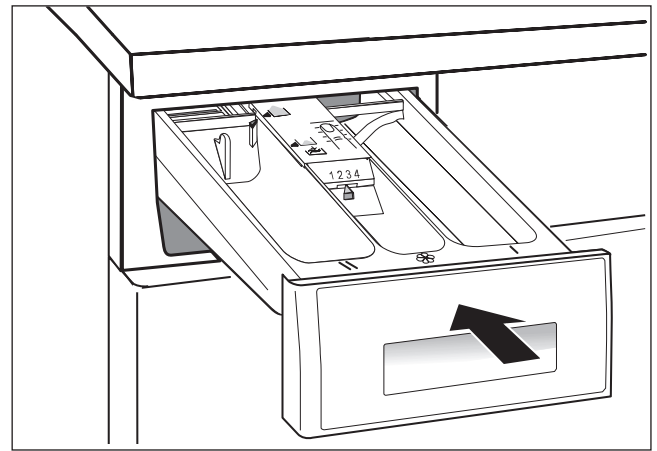
**Figure 22.**

5. Fit the insert back into the dispenser drawer. See Figure 23.



**Figure 23.**

6. Push the dispenser drawer back into the machine. See Figure 24.



**Figure 24.**

### **Pump**

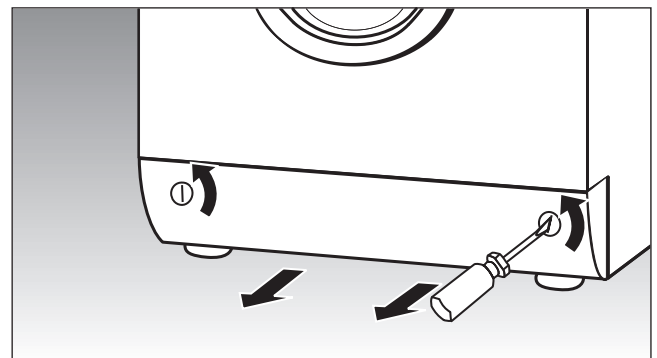
The Bosch washer has a trap located at the pump. This trap will catch and hold foreign objects such as pins, coins, paper clips, etc. The pump and trap should be cleaned at regular intervals or when the pump becomes blocked due to such foreign objects.

**Caution:** Wait until hot wash water has cooled down.  
Risk of scalding!

**Note:** Indicator light for “Door Locked” & “Rinse/Spin” in Cycle Indicator light group flashing and the number “03” flashing in the alphanumeric display indicates that the pump has become blocked.

To clean pump and trap:

1. Turn the machine off by depressing the “ON/OFF” button.
2. Unplug the washer from the electrical supply. Disconnect the power cord by grasping the plug, not the cord.
3. Remove the kick panel, at the bottom front of the machine. Use a coin or a screwdriver to turn the catches at the front so that the slots are horizontal. See Figure 25.



**Figure 25.**

4. With the catches horizontal grasp the underside of the kick panel, in the middle, lift it up slightly and pull it towards you.

- Pull out the drain hose and with a bucket close at hand remove the plug from the end of the hose. Let the water run out into a flat receptacle, such as the kick panel. Replace the plug before the receptacle overflows, pour the water into a bucket and repeat until all the water has been removed. See Figure 26.

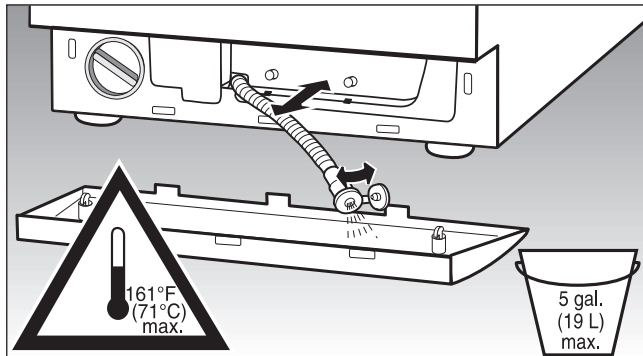


Figure 26.

- Refit the plug into the end of the hose and place the hose back inside the machine.
- Remove the pump cover by turning it counter-clockwise and pulling it out. See Figure 27.

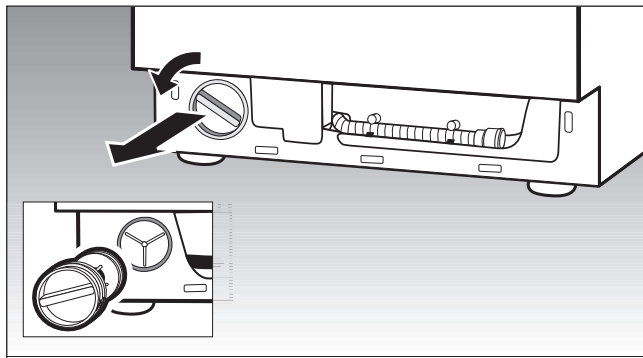


Figure 27

- Remove any foreign objects or fluff that may have accumulated. Clean the interior of the pump. Check to make sure that the vanes of the pump can be easily rotated. See Figure 28.

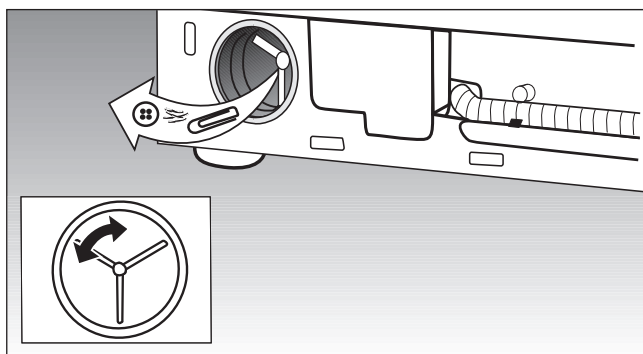


Figure 28.

- Screw the cover back into place in the pump and reattach the kick panel. Be sure to turn the catches so that the slots are vertical. See Figure 29.

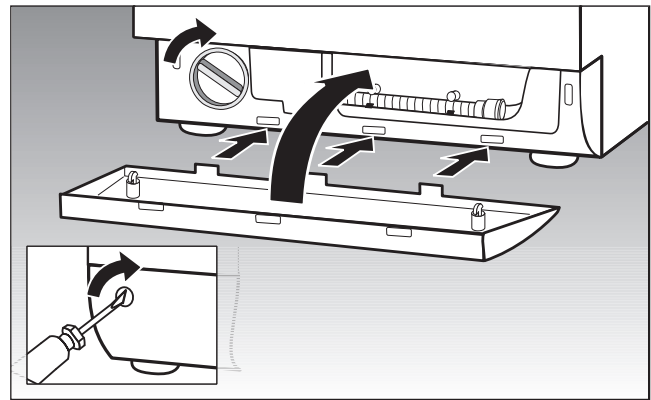


Figure 29.

- Pour approximately 1/2 gallon (2 litres) of water into the Prewash/Soaking compartment (marked "I" on the right) and start the Drain Cycle (6). This will prevent detergent from passing unused straight into the drains the next time washer is used.

### Frost Protection

If the washer is located in a room which will be exposed to freezing temperatures, or if it is located in a cabin that is being shut down for the winter, any residual water in the pump or water inlet hose(s) must be drained. To drain the pump refer to the section titled "To Clean Pump and Trap" earlier in this manual. To drain the water hose(s):

- Close the water valves.
- Release the pressure in the hose(s). See step 2 in section above titled "Filters, Water Inlet Hoses".
- Unscrew the hose(s) from the tap and lay the hose(s) flat on the floor with end(s) lying on an absorbent cloth.

The hose(s) may then be screwed back onto the tap(s) or left off until the next season.

# SERVICE and REPAIR

---

The Bosch washer requires no special care other than the care and cleaning noted above. If you are having a problem with your washer, before calling for service please refer to Table 4, SELF-HELP section, following. If service becomes necessary, contact your dealer or installer or an authorized service center. Do not attempt to repair the appliance yourself. Any work performed by unauthorized personnel may void the warranty.

If you are having a problem with your Bosch washer and are not pleased with the service you have received:

- First, please contact your installer or the Bosch Authorized Service Contractor in your area and explain to them why you are not satisfied. This will usually correct the problem.
- If after working with your installer or service person the problem still has not been resolved to your satisfaction, please let us know by either writing to us at,

BSH Home Appliances  
2800 South 25th Avenue  
Broadview, IL 60153

or, calling us at,

**1-800/944-2904.**

Please be sure to include, if writing, or have available, if calling, the following information:

- Model Number
- Serial Number
- Date of Original Purchase
- Date Problem Originated
- Explanation of Problem

Also, if writing, please be sure to include a daytime telephone number.

You will find the model number and serial number information on the rating plate located on the inside of the door above the door glass.  
See Figure 1.

## SELF-HELP

Washers may exhibit problems that are unrelated to a malfunction of the washer itself. The following table may serve to answer your question about a problem you are having without having to call a serviceman.

PROBLEM	POSSIBLE CAUSE
Indicator lights do not come on	<ul style="list-style-type: none"> <li>The "On/Off" has not been depressed</li> <li>A fuse may have blown or a circuit breaker tripped. Replace fuse or reset circuit breaker at your fuse box/breaker box.</li> <li>The plug is not correctly or only loosely inserted into the receptacle.</li> </ul>
Washing sequence does not start; "Start" indicator is flashing	<ul style="list-style-type: none"> <li>Cycle selector is set to a new selection. Check that cycle has been set properly and depress the "Start" button.</li> <li>If necessary, switch the machine off and wait 5 seconds before switching it on again. Select the cycle again and depress "Start".</li> </ul>
Washing sequence does not start.	<ul style="list-style-type: none"> <li>Close the door and press the "Start" button.</li> </ul>
Water does not flow into the washer or no detergent is flushed into the drum	<ul style="list-style-type: none"> <li>Water valve(s) have not been opened.</li> <li>Filter in water inlet is blocked.</li> </ul>
Detergent in compartment "I" is not flushed into drum	<ul style="list-style-type: none"> <li>The Prewash button has not been depressed.</li> </ul>
Traces of detergent left in the dispenser drawer	<ul style="list-style-type: none"> <li>Damp or lumpy detergent. Dry the dispenser drawer before pouring in detergent the next time. See Care and Cleaning section of manual for cleaning procedure.</li> <li>In the case of liquid or concentrated detergents, use the dosage aids. Pour the detergent into the aid device (ball, etc.) and place it inside the drum together with the wash.</li> <li>Insert for liquid detergent is pressed down. See insert position for powder in section titled DISPENSER DRAWER.</li> </ul>
No water is seen during washing	<ul style="list-style-type: none"> <li>This is not a malfunction. The water inside the machine is below the level at which it becomes visible.</li> </ul>
Poor washing result	<ul style="list-style-type: none"> <li>Degree of soiling was greater than usual.</li> <li>Change type and amount of detergent.</li> <li>Select maximum permissible temperature for fabric type.</li> <li>Select Prewash and/or Power Wash functions in addition to main wash cycle.</li> </ul>
Traces of detergent left on wash	<ul style="list-style-type: none"> <li>Certain phosphate-free detergents will leave insoluble particles that will stick to wash and become noticeable as white marks. Either wait until item is dry and brush off these particles, or immediately repeat the rinsing process. - Consider changing detergent.</li> </ul>
Greyish residue on wash	<ul style="list-style-type: none"> <li>A normal amount of detergent is sometimes not enough to remove soiling caused by ointments or oils. Increase the amount of detergent and select the hottest water safe for the fabric, the next time that the item is washed.</li> </ul>
Noises	<p>The washer does make noise during operation. Typical sounds that occur during operation include:</p> <ul style="list-style-type: none"> <li>acceleration noise, during the spin portion of cycle.</li> <li>tapping noise, sharp tapping sounds may come from metal fasteners, zippers, coins or belt buckles hitting the wash drum or door.</li> <li>Motor noise, is common when running.</li> <li>Pump noise, is common during rinse and spin cycles and draining.</li> </ul> <p>Other sounds such as thumping or rumbling may indicate that the washer is not level. Stop washer and adjust leveling legs. See INSTALLATION INSTRUCTIONS. Excessive vibration may indicate that the shipping bolts were not removed. Again, please refer to INSTALLATION INSTRUCTIONS.</p>

TABLE 4.

**SELF-HELP, Table 4 (Continued)**

PROBLEM	POSSIBLE CAUSE
Power Failure	<ul style="list-style-type: none"> <li>If there is a power failure or the washer malfunctions, there is a special procedure for emptying the machine of water. See section titled "To Clean the Pump and Trap" in the CARE &amp; CLEANING section of this manual.</li> </ul>
Grey Marks on the Wash	<ul style="list-style-type: none"> <li>These type of marks can be caused by cosmetics or fabric softeners and could have affected the garments before they were placed in the washer. Remedy: Many marks can be washed out after the garments have been soaked in a liquid detergent.</li> </ul>
Suds Coming out of the Detergent Drawer	<ul style="list-style-type: none"> <li>Too much detergent was used. Press the "On/Off" button to switch the machine off and wait for approximately 5-10 minutes. To reduce the amount of sudsing, put a tablespoon of fabric softener mixed with ½ quart (½ litre) of water into the detergent drawer. For the next wash, be sure to reduce the amount of detergent used.</li> </ul>
Suds still visible after last rinse.	<ul style="list-style-type: none"> <li>Certain detergents tend to produce more suds but this does not affect the rinsing results.</li> </ul>
Repeated Spinning	<ul style="list-style-type: none"> <li>- The unbalance sensor of Sensotronic Plus has removed the imbalance by starting and stopping the spin several times.</li> <li>- The spin speed selector has been set to INTERVAL SPIN.</li> </ul>
Vibrations when Washing and Spinning	<p>The washer's feet were not secured in place when the machine was installed. Realign the machine using a spirit level and secure as described in the INSTALLATION INSTRUCTIONS.</p>
Cycle duration is longer than expected	<ul style="list-style-type: none"> <li>- If too much foam has been created, the foam detection system will have initiated an additional rinse/spin cycle so that the suds disintegrates and effective rinsing can take place.</li> <li>- If the machine becomes severely unbalanced while it is spinning, it is possible that the cycle duration will be extended as a result of repeated attempts to redistribute the washing. Remedy: Wash a mixture of large and small items together in order to reduce the unbalance.</li> </ul>
Door cannot be opened after Spinning	<p>The cycle is not completed yet.</p> <ul style="list-style-type: none"> <li>- No final spin has been selected (see page 20).</li> </ul> <p>The cycle is completed but the door has been kept locked for 1-2 minutes for safety reasons.</p> <ul style="list-style-type: none"> <li>- There is still water or too much suds inside the machine.</li> </ul> <p>Remedy: Wait until the suds disintegrates, select the Drain Cycle (6). The door can be opened:</p> <ul style="list-style-type: none"> <li>- After the "Door Locked" indicator light is no longer illuminated</li> <li>- After the machine has been switched off (wait for approx. 2 minutes).</li> </ul>

**TABLE 4.**

## FAULT CODES

If one or more of the lights in the cycle indicator are flashing and the alphanumeric display is flashing a number, it is an indication that a malfunction has occurred and the number flashing is a FAULT CODE indicating the problem area. The FAULT CODES for the washer are listed in Table 5 below.

INDICATOR		
FLASHING LIGHT IN CYCLE INDICATOR	FLASHING NUMBER IN ALPHANUMERIC DISPLAY	POSSIBLE CAUSE/REMEDY
DOOR LOCKED	01	<ul style="list-style-type: none"><li>-Tap has not been turned on. Open water valve(s) and press "Start" button</li><li>- Filters in water inlet are blocked. See CARE &amp; CLEANING section of manual.</li></ul>
WASH & RINSE SPIN	06	Door is not closed. Close the door and press the "Start" button.
DOOR LOCKED & RINSE/SPIN	03	Blocked outlet hose, drain pipe or pump. See CARE & CLEANING section on how "To Clean Pump and Trap".
WASH	04	<ul style="list-style-type: none"><li>- Indicates malfunction within machine.</li><li>- Switch the washer to "OFF"</li><li>- Call your Bosch Authorized Service Contractor.</li></ul>

TABLE 5.



**STATEMENT OF WARRANTIES  
BOSCH CLOTHES WASHER**

The warranties provided by BSH Home Appliances (“Bosch”) in this Statement of Warranties apply only to Bosch clothes washers sold to the first using purchaser by Bosch or its authorized dealers, retailers or service centers in the United States or Canada. The Warranties provided herein are not transferable.

<b>LENGTH OF WARRANTY</b>	<b>SCOPE OF WARRANTY</b>
1 Year Full Limited Warranty From Date of Installation*	Bosch will repair or replace, free of charge, any component part that proves defective under conditions of normal home use labor and shipping costs included. Warranty repair service must be performed by an authorized Bosch Service Center (excludes cosmetic parts).
2 Year Limited Warranty From Date of Installation*	Bosch will provide replacement parts, free of charge, for any component part that proves defective under conditions of normal home use, shipping costs included.
5 Year Limited Warranty on Electronics From Date of Installation*	Bosch will repair or replace, free of charge, any microprocessor or printed circuit board that proves defective under conditions of normal home use for a period of five years from the date of original installation, labor charges excluded.
5 Year Limited Warranty on Motor From Date of Installation*	Bosch will repair or replace, free of charge, any motor or component part of the motor that proves defective under conditions of normal home use for a period of five years from the date of original installation, labor charges excluded.
5 Year Limited Warranty on Cabinet Rust From Date of Installation*	Bosch will replace any cabinet part, free of charge, if that cabinet part should rust through under conditions of normal home use, labor charges excluded.
Lifetime Limited Warranty against Stainless Steel Rust Through From Date of Installation*	Bosch will replace your clothes washer, free of charge, with the same model or a current model that is equivalent or better in functionality if the washer drum or outer tub should rust through under conditions of normal home use, labor charges excluded. Warranty is considered void if chlorine liquid bleach has been used.

\* Date of installation shall refer to the earlier of the date the clothes washer is installed or ten business days after the delivery date.

**Exclusions.**

This warranty does not cover service calls or repairs to correct the installation of the clothes washer, to provide instructions on the use of your clothes washer, to replace house fuses or correct plumbing or the electric wiring in your home or to repair any clothes washer that’s use was in a manner other than what is normal and customary for home use. In addition, the warranties provided in this Statement exclude any defects or damage arising from accident, alteration, misuse, abuse, improper installation, unauthorized service work, external forces beyond Bosch’s control, such as fire, flood, and other acts of God, or installation not in accordance with local electrical and plumbing codes. Labor charges incurred in the repair or replacement of any clothes washer after a period of one year from date of Installation shall not be covered by this warranty. Any and all replaced and/or repaired parts shall assume the identity of the original for purposes of the applicable warranty period. TO THE EXTENT PERMITTED BY LAW, THIS WARRANTY IS IN LIEU OF ALL OTHER EXPRESS AND IMPLIED WARRANTIES, INCLUDING THE IMPLIED WARRANTIES OF MERCHANTABILITY AND FITNESS FOR A PARTICULAR PURPOSE. Bosch DOES NOT ASSUME ANY RESPONSIBILITY FOR INCIDENTAL OR CONSEQUENTIAL DAMAGES.

TO OBTAIN WARRANTY SERVICE, CONTACT THE NEAREST BOSCH AUTHORIZED SERVICE CENTER OR CALL 1-800-944-2904, OR WRITE AT: BSH HOME APPLIANCES, ATTN. SERVICE, 2800 SOUTH 25TH AVENUE, BROADVIEW, ILLINOIS 60153. BE SURE TO PROVIDE YOUR CLOTHES WASHER’S MODEL, SERIAL NUMBER, PURCHASE DATE AND THE SELLER’S NAME AND ADDRESS.

# Installation Instructions

## Introduction

Read these installation instructions completely and carefully. They will save you time and effort and help to ensure optimum washer performance. Be sure to observe all listed warnings and cautions.

These installation instructions are intended for use by qualified installers. In addition to these instructions the washer shall be installed:

- In the United States, in accordance with the National Electric Code, ANSI/NFPA70 ~ latest edition/State and Municipal codes and/or local codes.
- In Canada, in accordance with the Canadian Electric Code C22.1 ~ latest edition/Provincial and Municipal codes and/or local codes.

## Tools Needed for Installation

The following tools are needed for installation of this washer:

- Box cutter
- Flat blade screwdriver
- Open end wrench, 17mm (provided)
- Box end wrench, 13 mm (provided)
- Level

## Accessory Parts Supplied

There is a packet of accessory parts supplied with your washer. Check to make sure that the accessory parts supplied for your model are all there. If any parts are missing, contact your dealer immediately.

The parts that should be supplied with your washer are as follows:

- Two water inlet hoses (cold and hot water)
- Connection adapter for water drain hose
- 3 plastic inserts
- Wrench with open end (17mm) and box end (13mm)

## GROUNDING INSTRUCTIONS

This appliance must be grounded. In the event of malfunction or breakdown, grounding will reduce the risk of electric shock by providing a path of least resistance for the electric current. This appliance is equipped with a cord having an equipment-grounding conductor and a grounding plug. The plug must be plugged into an appropriate outlet that is properly installed and grounded in accordance with all local codes and ordinances.



## WARNING

Improper connection of the equipment-grounding conductor can result in a risk of electric shock. Check with a qualified electrician or serviceman if you are in doubt as to whether the washer is properly grounded.

Do not modify the plug provided with the appliance ~ if it will not fit the outlet, have a proper outlet installed by a qualified electrician.



## WARNING

To reduce the risk of fire this washer must be fastened or otherwise secured to an uncovered concrete floor

## Additional Grounding Procedure

Some local codes may require a separate ground. In such cases, the required accessory ground wire, clamp and screw must be purchased separately. **Never ground the washer to plastic plumbing lines, gas lines or hot water pipes.**

## Technical Data

### Dimensions

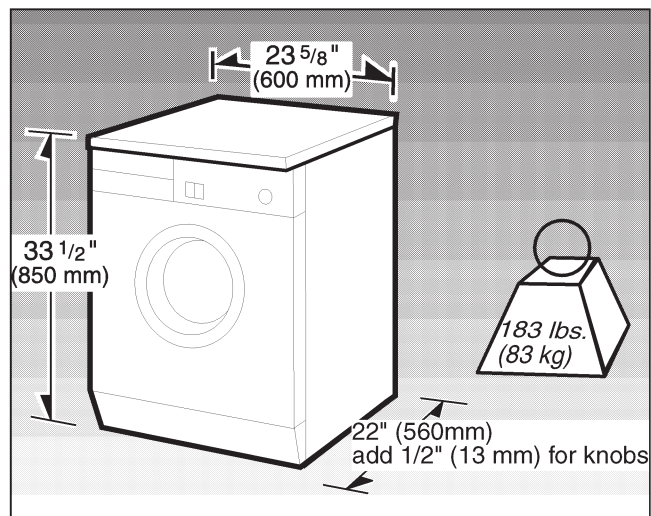


Figure 1.

### Electrical Requirements

The Bosch washers should be CONNECTED TO AN INDIVIDUAL BRANCH CIRCUIT. North American models have the following electrical rating:

Volts	Hertz	Amperes	Watts
208/240	60	11	2500 (max.)

Check the rating plate on the washer to make sure your machine has this rating.

This washer is supplied with a standard 240V/15 ampere plug. If you have purchased the matching Bosch dryer, you will find matching receptacle on the back of the dryer into which you may plug the washer. The washer may also be directly connected to a separate 208/240V / 60 Hz power supply with 15 ampere fusing and proper grounding



## WARNING

To reduce the risk of fire or electrical shock, DO NOT use an extension cord or an adapter to connect the washer to the electrical power supply.

### Water Requirements

Water pressure of 14.5 to 145 p.s.i. (1 to 10 bars) and a minimum flow rate of 2.2 U.S. gallons per minute (8 litres per minute) are required for this washer.

The water heater should be set to deliver water at a temperature of 140°F (60°C). The washer will operate with lower temperatures, but the time required for a program that heats water will be lengthened accordingly.

**Note:** Do not connect the machine to the mixing tap of an unpressurized hot water heater! If in doubt, have connections completed by a qualified person.

### CAUTION:

To protect against water damage, the Hot and Cold water valves should be accessible when the washer is in place and should **always** be turned off when the washer is not in use.

### Minimum Installation Clearances

	Alcove or Under Counter	Closet
Sides	0" (0 mm)	0" (0 mm)
Top	0" (0 mm)	0" (0 mm)
Rear	0" (0 mm)	0" (0 mm)

## Choosing the Location

The washer should not be installed:

- in an area exposed to dripping water or outside weather conditions
- in areas where water may freeze
- in an area where gasoline or other flammables are kept or stored (including gasoline powered vehicles or equipment).

Maximum distance	from left side of washer	from right side of washer
Power Supply	39" (100 cm)	49" (125 cm)
Hot and Cold Water Valves	51" (130 cm)	39" (100 cm)
Water Drain	55" (140 cm)	39" (100 cm)

### Flooring

The washer should be installed on a level, solidly constructed floor. Wood floors may need to be reinforced to minimize vibration.

To reinforce a floor it is recommended that a water-resistant wooden board, at least 1 inch (25.4 mm) thick be used. The board must be screwed securely to the floor. If possible, install in a corner of the room. Secure the feet of the washer to the reinforcing board with stop brackets (accessory no. WMZ 2200).

Soft surfaces such as carpeting and soft tile surfaces can also be contributing factors to vibration and/or a tendency for the washer to move during operation. Such surfaces are not suitable for washer installation and should be avoided.

### Pedestal Mounting

For mounting the washer on the Bosch 12" pedestal (accessory No. WTZ 1210) follow the instructions supplied with the pedestal.

### Built-in Installation

The Bosch washer can be built-in; that is, you can install the Bosch washer under-counter in a kitchen cabinet opening. The cabinet opening should be square and have the dimensions as shown in Figure 2.

**Note:** If installed under a countertop, the countertop must be continuous and securely attached to neighboring cabinets.

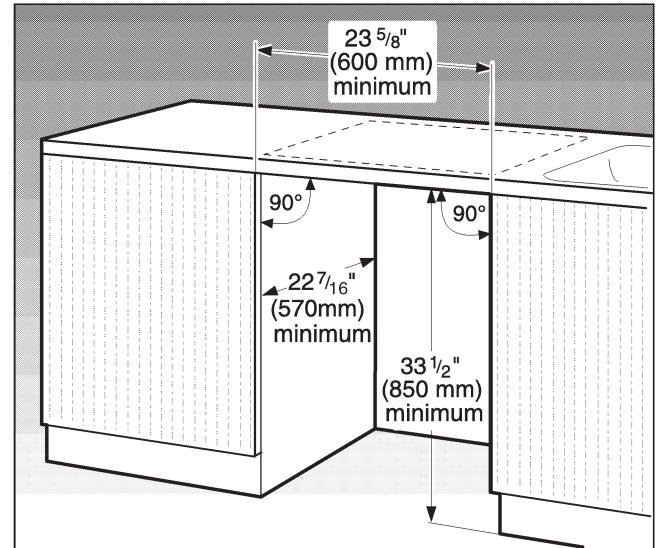


Figure 2.

### CAUTION:

To protect against possible rupture of the water valves, water lines leading to the washer as well as water lines, water valves and the water pump in the washer, the washer **MUST** be protected against freezing. If the valves, water lines or pump freeze, flooding may occur. Such ruptures are not covered by the warranty.

# INSTALLATION

## Step 1

### Unpack the washer

Carefully remove the packing material from the outside of the washer. The drain hose and power cord are shipped installed on the washer and care should be taken to avoid cutting either of them while removing the packaging.

#### CAUTION:

Be careful when lifting the unit. Danger of injury! Do not lift the washer using the dispenser drawer or similar components, since this might cause damage to the machine.

## Step 2

### Inspect the Washer

Thoroughly inspect the washer, prior to installation, for possible freight or cosmetic damage. Report any damage immediately. Cosmetic damage must be reported within 5 days of installation.

## Step 3

### Position Washer near Installation Area

Move the washer so that it is within four feet of the desired position.

**Note:** Corrugated packing material may be used to protect the floor. Do not use corrugated material with staples.

## Step 4

### Remove Shipping Bolts

Locate the three 13 mm. shipping bolts, located at the back of the washer. See Figure 3.

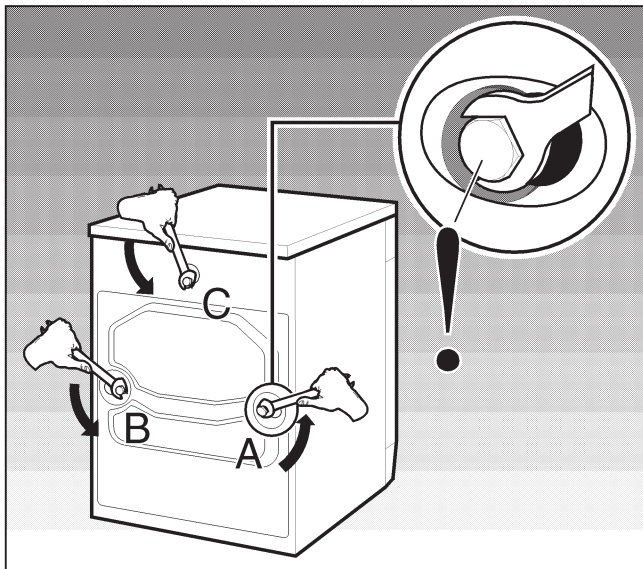


Figure 3.

Please note the lettering of the bolts as shown in Figure 3. The bolts "A" and "B", with their sleeves should be removed first. See Figure 4 showing removal of bolt with sleeve.

Use a 13-mm box end wrench, if available, to remove the shipping bolts. If a 13-mm wrench is not available, there is a 13mm wrench in the accessory parts bag located in the washer drum.

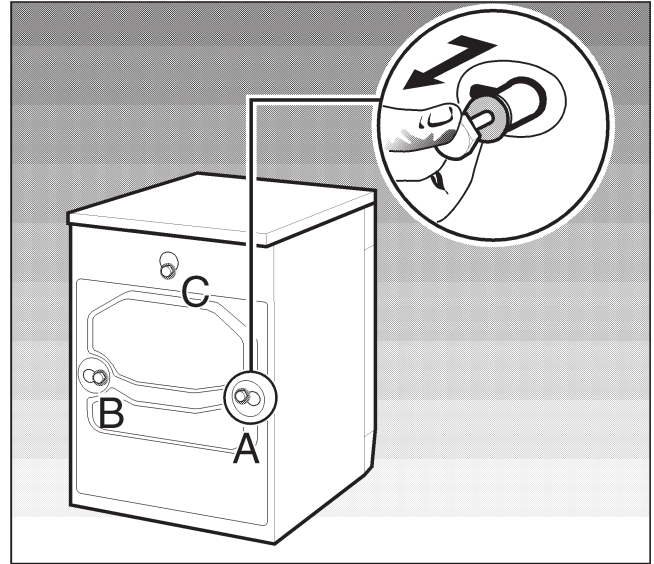


Figure 4.

Next, remove the shipping bolt marked "C" in the drawings. Removal of this last shipping bolt, with its spring, will be simplified by opening the washer door and pulling the drum forward at the same time, as shown in Figure 5.

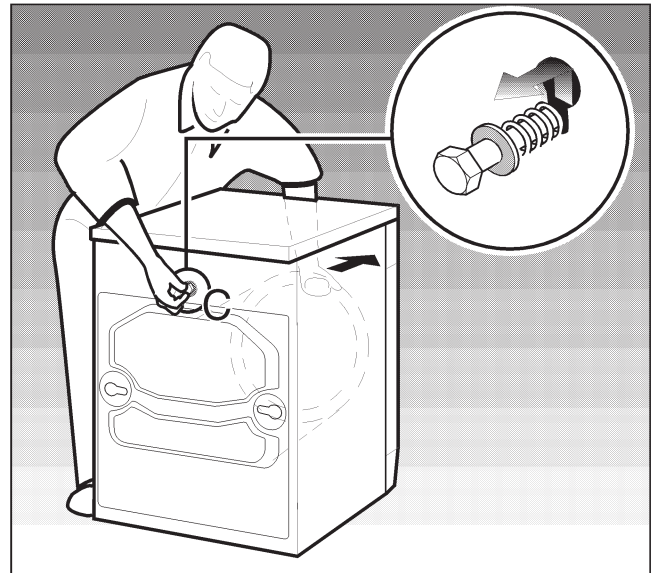


Figure 5.

After removing the bolts the openings must be covered with the plastic inserts provided in the accessory bag. See Figure 6.

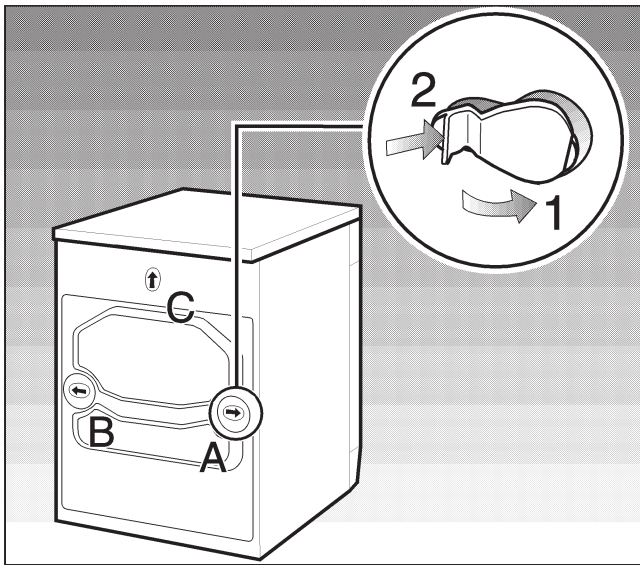


Figure 6.

**Step 5**

**Connect the Water Inlet Hoses**

The water inlet hoses are shipped in the drum of the washer. Remove the hoses from the drum.

In the figures below, "A" is the hot water side. Connect one of the water hoses to the "A" connection of the washer and then to the hot water supply valve. Next connect the second water hose to the "B" connection of the washer and then to the cold water supply valve.

**Note:** Hand tighten the plastic nuts on the water inlet hoses. Do not use a wrench to tighten the plastic hose ends to the water valves.

The two hoses must be used. Even if the washer is only being connected to a cold water supply. See lower illustration in Figure 7.

**IMPORTANT**

When washer is being installed in new construction, or a building that has had its plumbing system recently installed or upgraded, the lines must be flushed prior to installing the washer. This must be done to clear the lines of any sand, dirt or residue that may still be in the lines.

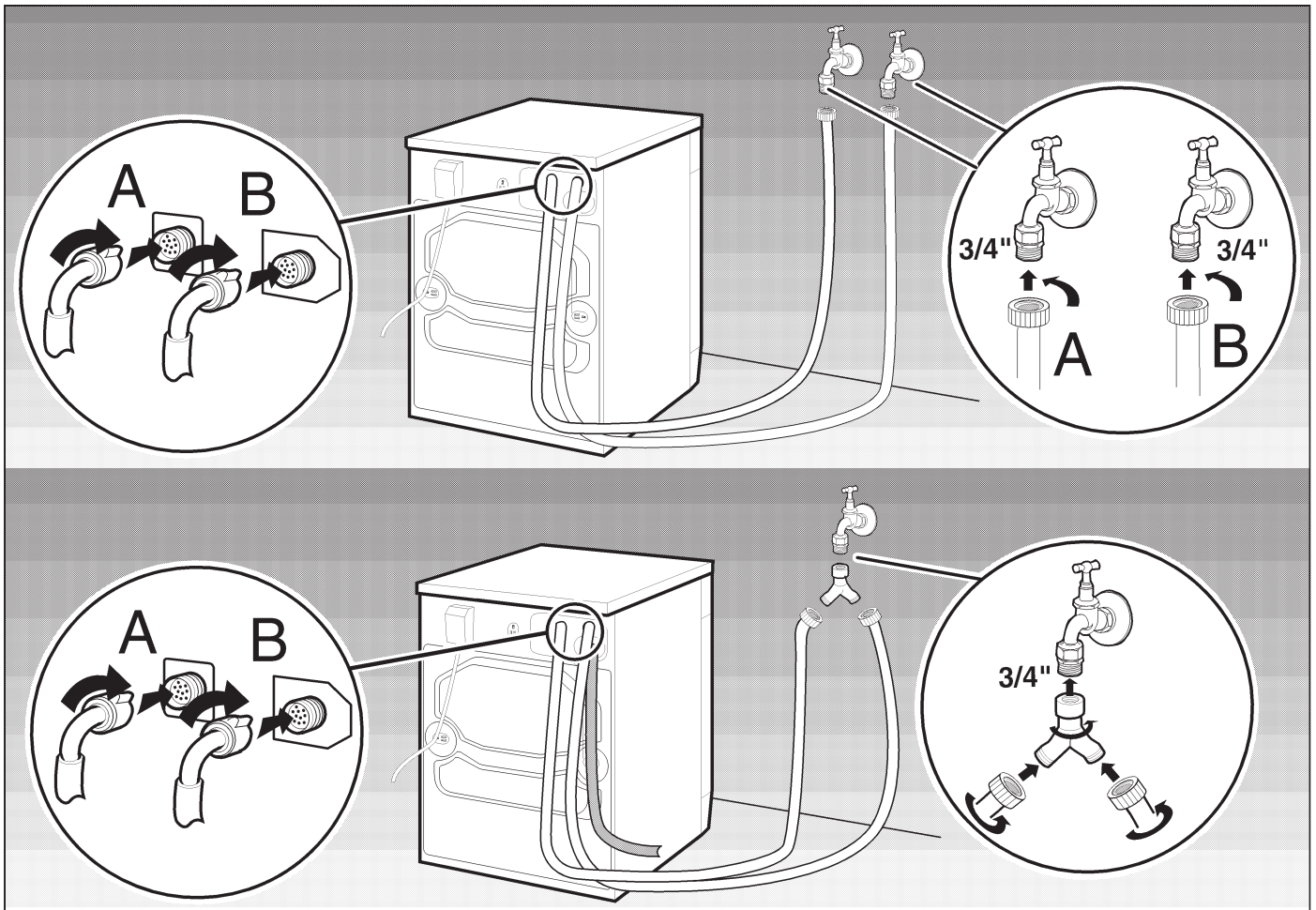


Figure 7.



## WARNING

The connection points are under full water pressure. Check seal with tap fully open.

### CAUTION:

The filters at either end of the water inlet hose must not be removed (only for cleaning). DO NOT kink or crush the water supply hose. DO NOT change or cut the water supply hose, otherwise the strength can no longer be guaranteed.

### Step 6

#### Connect the Drain Hose to Drain Receptacle

The drain hose, which is preinstalled on the back of the washer, must be connected to a suitable drain. Refer to following drain connection section that matches the requirements of your installation.

#### Standpipe, or In Wall, Installation

Use the U-bracket. Attach the U-bracket to the end of the hose and insert end of hose into standpipe or wall drain. Use a strap or cable tie connected to U-bracket to hold hose in place. See Figure 8.

**Note:** Maximum height of standpipe, or edge of sink, or wall installation is 43 inches (110 cm) above floor level

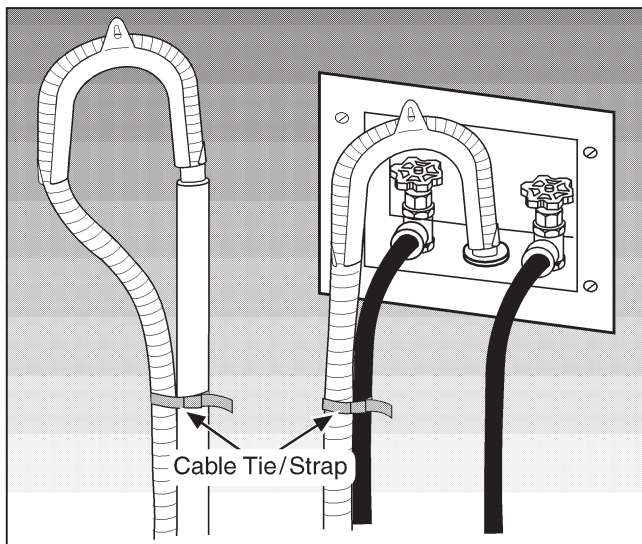


Figure 8.

#### Sink or Laundry Tub Installation

Use the U-bracket. Attach the U-bracket to the end of the hose and hook the end of the hose over the side of the sink/laundry tub. Use a strap connected to water valves/sink/laundry tub to hold hose in place. See Figure 9.

**Note:** Check that the water drains quickly enough from the sink or laundry tub. Otherwise, there is a danger of flooding!

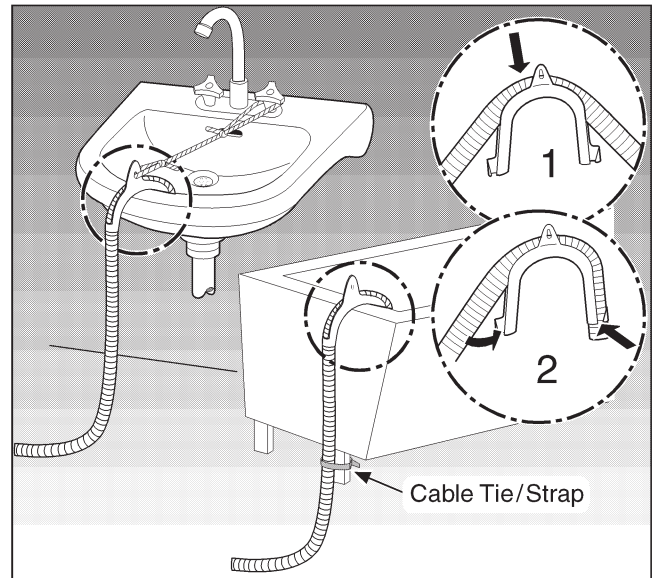


Figure 9.

#### Siphon Installation

Use the supplied connection adapter to attach the drain hose to the siphon. The connection points must be secured with hose clamps (provided) to avoid risk of flooding. See Figure 10.

**Note:** The connection points of the drain hose with the siphon must be secured with hose clamps. Otherwise, there is a danger of flooding!

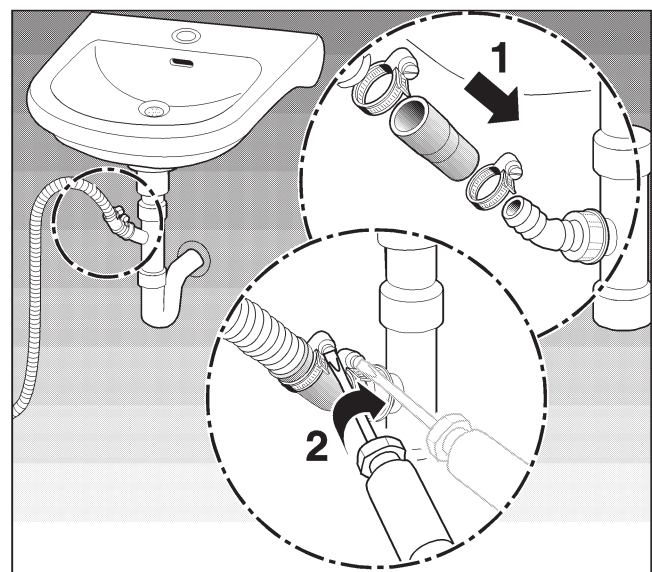


Figure 10.

### Floor Drain Installation

Insert the end of the drain hose into the floor drain. Use a strap to hold hose in place.

**Note:** There is no need to loop the drain hose outside of the washer.

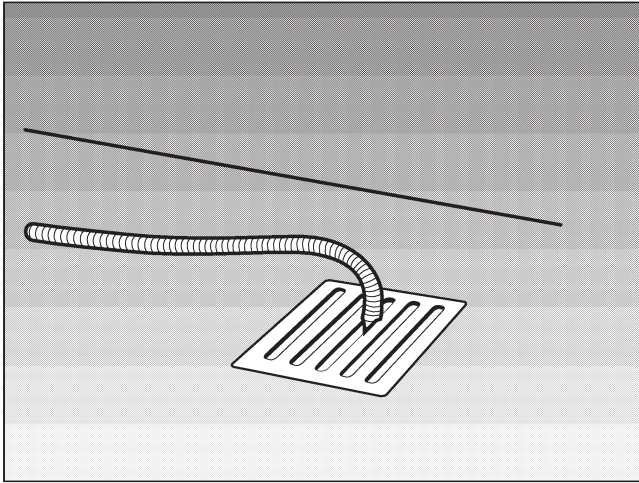


Figure 11.

### CAUTION:

During Installation, DO NOT bend the drain hose and DO NOT pull the hose.

### Step 7

#### Position and Level the Washer

Place the washer in position on a clean, level, solidly constructed floor. Installation on any type of carpeting is not recommended.

With washer in position, it must then be leveled. Check washer, using level as shown in Figure 12.

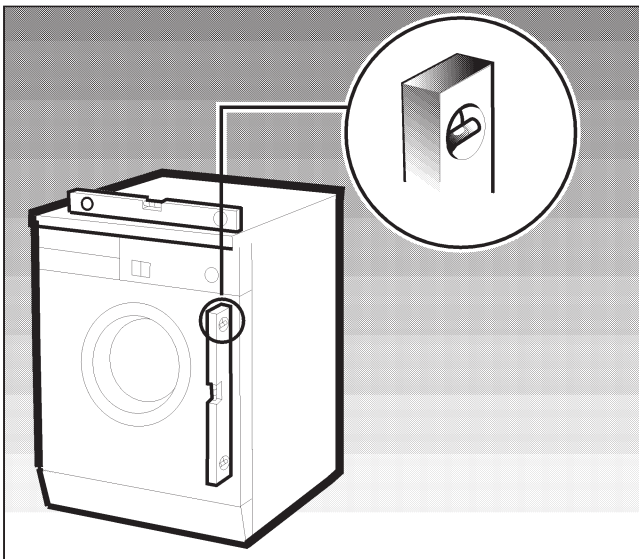


Figure 12.

If legs must be adjusted to level the washer (refer to Figure 13):

1. Loosen the locknuts as shown in illustration 1, of Figure 13.
2. Adjust the leveling (illustration 2, Figure 13) legs until the washer does not rock and is level, both front-to-back and side-to-side,
3. Hand tighten the locknuts against the washer base and then secure them in position using wrench, as shown in illustration 3, Figure 13.

### CAUTION:

Do not slide washer across the floor if leveling legs have been extended. Legs and/or washer base may be damaged if washer is slid across floor with leveling legs extended.

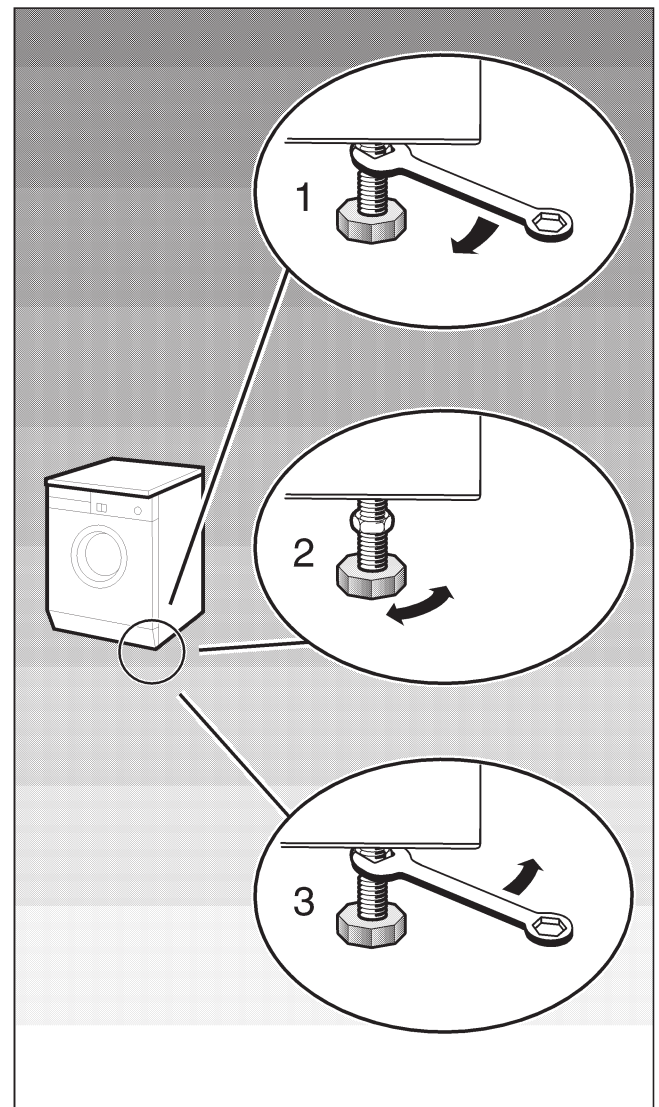


Figure 13.



### Step 8

#### Storing the Wrench

The wrench provided in the accessory parts bag, may be stored behind the kick panel (refer to Figures 14, 15, 16):

1. Use a screwdriver, or coin, to turn the catches at the front so that the slots are horizontal and using two hands in the middle of the kick panel, lightly lift upwards as you pull the panel forward. See Figure 14.
2. Press the wrench into the formed holder on the inside of the kick panel. See Figure 15.
3. Reattach the kick panel. Be sure to turn the catches so that the slots are vertical. See Figure 16.

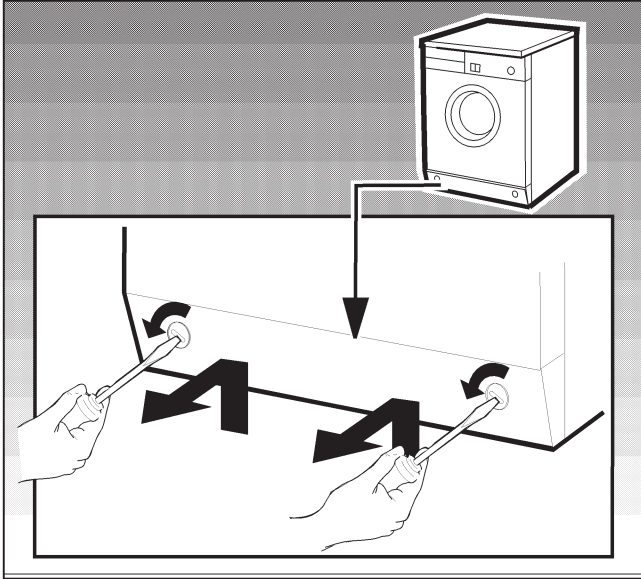


Figure 14.

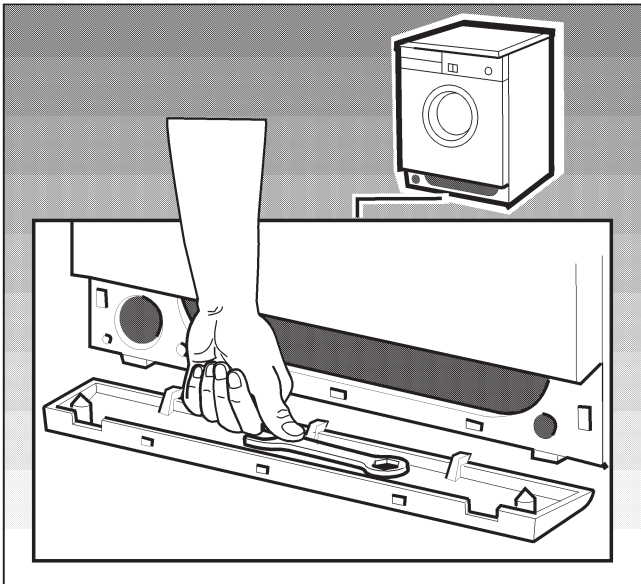


Figure 15.

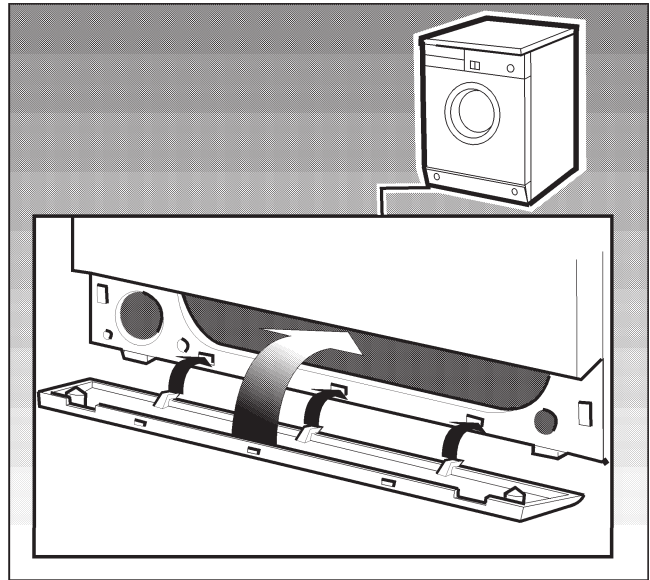


Figure 16.

### Step 9

#### Before Plugging in the Washer

**CHECK ELECTRICAL REQUIREMENTS. BE SURE YOU HAVE THE CORRECT ELECTRICAL SUPPLY AND GROUNDING METHOD(S).**

Plug the washer into the receptacle on the back of the Bosch dryer, or a separate  
208/240 V/15 Amp/60 Hz  
power supply.

### Step 10

#### Final Check List

1. Review the electrical requirements and water requirements and steps 1 through 10 to make sure they were performed properly.
2. Open the water valve(s) and make sure the electrical supply is on.
3. Operate the washer through one cycle, see Use and Care manual, and check for plumbing leaks.
4. If the washer does not operate, refer to the SELF-HELP and the SERVICE and REPAIR sections of the Use and Care Manual.
5. Upon completing check, turn washer off and close water valve(s).
6. **LEAVE INSTALLATION INSTRUCTIONS AND USE and CARE MANUAL WITH OWNER.**





